

Stainless steel process gauges

Model ZPS

Nominal size: 100 mm (4"), 115 mm (4.5"), 150 mm (6")

ASME B40.100 / EN 837-1 / IS-3624

Accuracy: Class 1 (1%)

Features

- Rugged stainless steel construction
- Socket and case welded
- Protection IP66/ IP68
- Usable to full scale
- Overload protection 130%
- Dry, liquid filled
- Optional contacts
- Optional external Zero Adjustment





Ranges

-30 in. Hg ... 0 psi up to 0 ... 15,000 psi
 -1 ... 0 bar up to 0 ... 1000 bar & kg/cm²
 -100 ... 0 kPa up to 0 ... 100,000 kPa

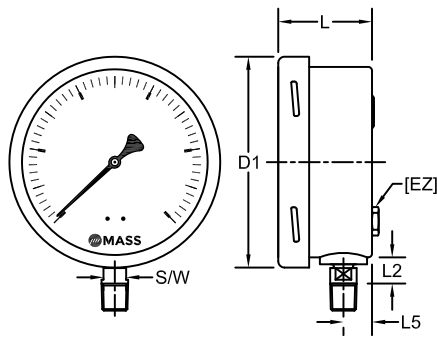
Applications

Chemical & petrochemical industries, refineries
 Fertilizer, thermal & nuclear power plants
 OEM & machine apparatus

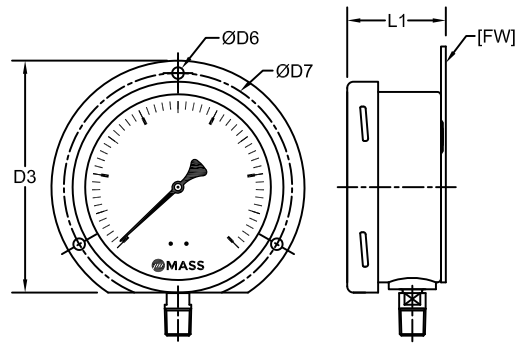


Technical specification	ZPS		
	100	115	150
Dial size in mm	100	115	150
Construction	Open front cylindrical case with snap action bayonet ring with blow out disc		
Measuring principle	Bourdon tube		
Range in kg/cm ² (or bar)	0.6 1 1.6 2.5 4 6 10 16 25 40 60 100 160 250 400 600 1000		
Overpressure limit	-1/0 -1/0.6 -1/1.5 -1/3 -1/5 -1/9 -1/15 -1/24		
Pressure type	130 % F.S., short time.		
Process connection	Gauge, vacuum and compound		
Connection location	1/8" 1/4" 3/8" 1/2" BSP / NPT (M) , M20x1.5 (M)		
Material	Others on request		
Pressure connection	Lower, back		
Tube	Stainless steel 316L, optional Monel, Hastelloy C276, Inconel 625		
Case/bayonet ring	Stainless steel 316L, optional Monel, Hastelloy C276, Inconel 625		
Window	Stainless steel 304, optional 316L		
Dial	Toughened glass, optional Safety Glass, acrylic glass		
Pointer	Aluminum, black markings on white background, others on request		
Movement	Aluminum, black optional micrometer adjustment		
Accuracy	Class 1 (1 % F.S.)		Optional 0.5%
Permissible	Stainless steel 304, optional 316L		
Ambient temperature	-40 ... 60 °C (-40 ... 140 °F)		
Medium temperature	Max. 200 °C (392 °F) (dry), max. 100 °C (212 °F) (for liquid filled)		
Storage temperature	-40 ... 65 °C (-40 ... 150 °F)		
Effect	Max. 0,3 % / 10 K		
Protection according	IP66/ IP68		
Optional Approval	Conformity according to 2014/34/EU for mechanical equipment in potential hazardous areas		
Filling liquids	 II 2G Ex h IIC T6..T1 Gb X  II 2D Ex h IIIC T85..T450°C Db X		
Mounting	Glycerin, Silicone, Halocarbon		
Weight dry/filled in kg	Standard stem, optional panel, bracket, surface or others on request		
Accessories, options	0.51 / 0.86	0.64/0.99	0.88 / 1.78
	NACE, diaphragm seals, valves, dampener, gauge saver, syphon etc		

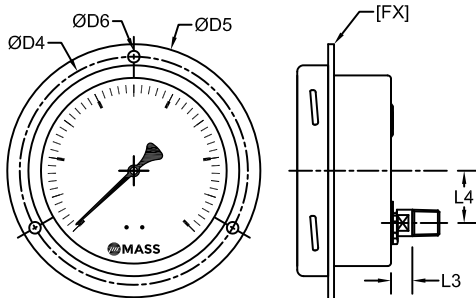
General dimensions in mm



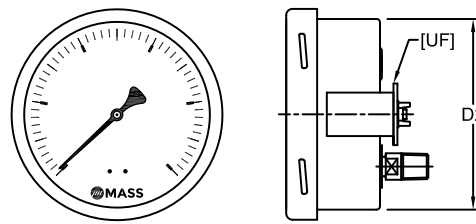
Lower Connection Direct Mounting



Lower Connection Surface Mounting



Back Connection Front Panel Mounting



Back Connection U-Clamp Mounting

DIAL SIZE	100	115	150
ØD1	109	127	166
ØD2	98.5	114.5	152
D3	122	140	176
D4	118	136	178
D5	132	152	192
D6	6	6	6
D7	118	136	168
L	49	49	49
L1	51.5	51.5	51.5
L2	16	16	16
L3	16	16	16
L4	27	27	27
L5	14.8	14.8	15.5
SW	17	17	17

Order information

Size	Type	System material	Execution	Process Connection	Connection orientation	Range	Engineering units	Filling/case material	Options
(100) 100 mm	ZPS	(S) Socket and Tube 316L	(L) IP66/68	(04) 1/2" NPT (M)	(L) Lower	-1/ 0	kg/cm ² (bar)	(=) Standard no filling	(NH) SS wired tag
(115) 115mm		(P) Socket and Tube Monel		(03) 3/8" NPT (M)	(B) Back	-1/ 0.6		(GV) Silicone ¹⁾	(SD) Special Dial
(150) 150mm		(D) Socket 316L, Tube Ni Span		(02) 1/4" NPT (M)		-1/ 3		(GR) Glycerin ¹⁾	(CS) Dual Scale
		(H) Socket and Tube Hastelloy C276		(01) 1/8" NPT (M)		-1/ 5		(GX) Halocarbon ¹⁾	(OF) Oil free
		(I625) Socket and tube Inconel 625		(15) 1/2" BSP (M)		-1/ 15		(YW) SS316L Case	(MP) Micrometer pointer
				(14) 3/8" BSP (M)		-1/ 24			(PD) Acrylic glass ⁴⁾
				(13) 1/4" BSP (M)		0/ 0.6			(SG) Safety Glass
				(12) 1/8" BSP (M)		0/ 1			(FX) Front panel
				(16) M20x1.5 (M)		0/ 1.6			(FW) Surface plate
				(KQ) 1/2" BSPT (M)		0/ 2.5			(UF) U-clamp
				(KR) 3/8" BSPT (M)		0/ 4			(TU) Throttle plug
				(KA) 1/4" BSPT (M)		0/ 6			(TM) 2" Pipe mounting
						0/ 10			(AJ) Calibration 0.5 % F.S. ²⁾
						0/ 16			(EZ) External Zero adjustment
						0/ 25			(AT) ATEX listed ³⁾
						0/ 40			
						0/ 60			
						0/ 100			
						0/ 160			
						0/ 250			
						0/ 400			
						0/ 600			
						0/ 1000			
							Equivalent ranges in kPa, MPa, psi, bar and other units available		
									Certificate
									(CD3) 3.1 Material Certi.

1) Not for 0.6 kg/cm² 2) only for size 150mm 3) Not admissible with glass option (PD) 4) Not available with Ex-proof

How to order

Size	Type	System material	Execution	Process connection	Connection orientation	Range	Engineering unit	Filling/Case material	Options	Certificate
100	ZPS	S	L	04	L	0/16	BAR	=	NH	CD3

Precision Mass Products Pvt. Ltd.

Plot No.: 2306, G.I.D.C. Chhatral, Ta: Kalol, Dist.: Gandhinagar, Chhatral -382729, Gujarat, India.

Telephone: +91-2764 233681/82/83

Email: sales@precisionmass.com

Fax: +91-2764-233440

www.precisionmass.com

- North Zone : sales.delhi@precisionmass.com
- East zone : sales.kolkata@precisionmass.com
- West zone : sales.mumbai@precisionmass.com
- South zone : sales.chennai@precisionmass.com