

Stainless steel process gauges

Model WPS

Nominal size:

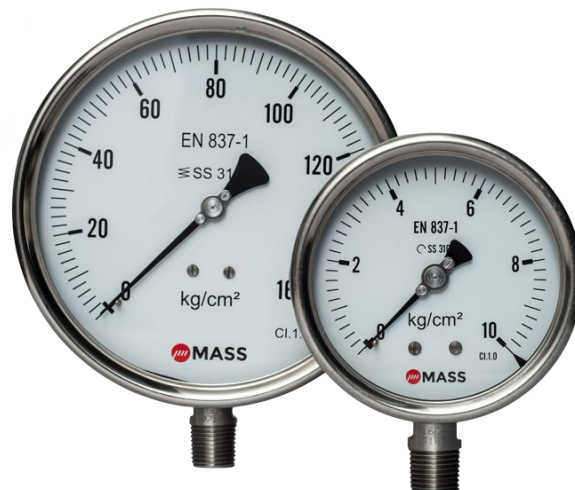
63 mm (2.5"), 100 mm (4"), 115 mm (4.5"), 150 mm (6") or 250 mm (10")

ASME B40.100 / EN 837-1 / IS-3624

Accuracy: Class 1 (1%) / Class 1.6 (1.6%) for 63mm

Features

- Rugged stainless steel construction
- Measuring system stainless steel or Monel
- Socket and case welded
- Protection IP66/ IP68
- Usable to full scale
- Overload protection 130%
- Dry, liquid filled
- Optional contacts
- Optional external Zero Adjustment



Ranges

-30 in. Hg ... 0 psi up to 0 ... 36,000 psi

-1 ... 0 bar up to 0 ... 2500 bar & kg/cm²

-100 ... 0 kPa up to 0 ... 250,000 kPa

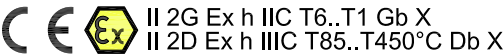
Applications

Chemical & petrochemical industries, refineries

Fertilizer, thermal & nuclear power plants

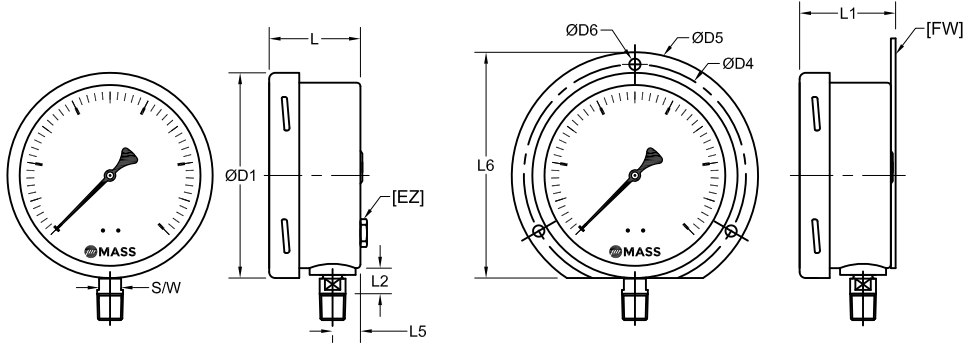
OEM & machine apparatus



Technical specification	WPS				
Dial size in mm	63	100	115	150	250
Construction	Open front cylindrical case with snap action bayonet ring with blow out disc				
Measuring principle	Bourdon tube				
Range in kg/cm ² (or bar)	0.6 1 1.6 2.5 4 6 10 16 25 40 60 100 160 250 400 600 1,000 1,600 2,500				
Overpressure limit	130 % F.S., short time.				
Pressure type	Gauge, vacuum and compound				
Process connection	1/8" 1/4" 3/8" 1/2" BSP / NPT (M), M20x1.5 (M), Others on request				
Connection location	Lower, back				
Material					
Pressure connection	Stainless steel 316L, optional Monel, Hastelloy C276, Inconel 625				
Tube	Stainless steel 316L, optional Monel, Ni Span, Hastelloy C276, Inconel 625				
Case/bayonet ring	Stainless steel 304, optional 316L				
Window	Instrument glass, optional laminated safety glass, acrylic glass				
Dial	Aluminum, black markings on white background, others on request				
Pointer	Aluminum, black optional micrometer adjustment				
Movement	Stainless steel 304, optional 316L				
Accuracy	Class 1.6 (1.6 % F.S.)		Class 1 (1 % F.S.)		Class 1 (1 % F.S.), optional 0.5 % F.S.
Permissible					
Ambient temperature	-40 ... 60 °C (-40 ... 140 °F)				
Medium temperature	Max. 200 °C (392 °F) (dry), max. 100 °C (212 °F) (for liquid filled)				
Storage temperature	-40 ... 65 °C (-40 ... 150 °F)				
Effect	Max. 0,3 % / 10 K				
Protection according	IP66 / IP68				
Optional Approval	Conformity according to 2014/34/EU for mechanical equipment in potential hazardous areas				
					
Filling liquids	Glycerin, silicone, halocarbon, others on request				
Mounting	Standard stem, optional panel, bracket, surface or others on request				
Weight dry/filled in kg	0.1 / 0.17	0.51 / 0.86	0.53 / 0.88	0.88 / 1.78	2.02 / 3.52
Accessories, options	NACE, diaphragm seals, valves, electric contacts, dampener, gauge saver, syphon etc				

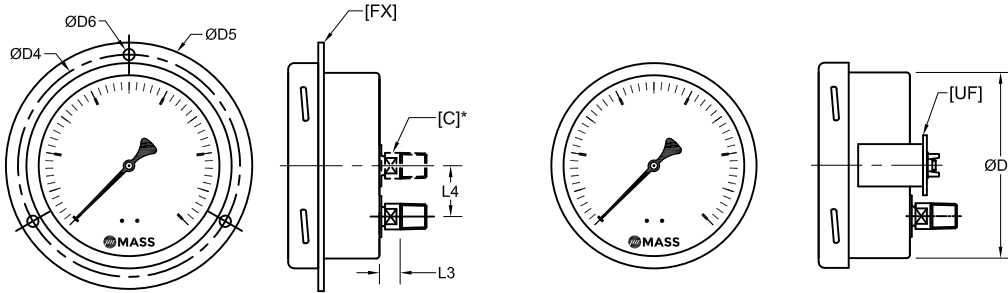
All specifications are subject to change without notice.

General dimensions in mm



Lower Connection Direct Mounting

Lower Connection Surface Mounting



Back Connection Front Panel Mounting

Back Connection U-Clamp Mounting

DIAL SIZE	63	100	115	150	250
ØD1	68.6	109	127	166	265
ØD2	61.6	98.5	114.5	152	252
ØD4	75	118	136	168	276
ØD5	85	132	152	186	290
ØD6	3.6	6	6	6	7
L	33	49	49	49	51.5
L1	37	51.5	51.5	51.5	-
L2	13	16	16	16	18
L3	13	16	16	16	16
L4	19	27	27	27	50
L5	10.8	14.8	14.8	15.5	14.8
L6	78	122	140	176	270
SW	11	17	17	17	17

[C]* for 63mm only

Order information

Size	Type	System material	Execution	Process connection	Connection orientation	Range	Engineering units	Filling/case material	Options
(63) 63mm	WPS	(S) Socket and Tube 316L	(L) IP66/68	(04) 1/2" NPT (M) ¹⁾ (03) 3/8" NPT (M) ¹⁾	(L) Lower (B) Back (C) Centre back ²⁾	-1/ 0 -1/ 0.6 -1/ 1.5 -1/ 3 -1/ 5 -1/ 9 -1/ 15 -1/ 24	kg/cm ² (bar)	(=) Standard no filling (GV) Silicone ⁵⁾ (GR) Glycerin ⁵⁾ (GX) Halocarbon ⁵⁾ (YW) SS316L Case (EC) Contact type and function (see EC.1) ^{1) 3) 5) 9)}	(NH) SS wired tag (SD) Special Dial (CS) Dual Scale (AV) Anti-Vibration ⁸⁾ (OF) Oil free (MP) Micrometer pointer ¹⁾ (PD) Acrylic glass ⁹⁾ (SG) Safety glass (FX) Front panel (FW) Surface plate (UF) U-clamp (TU) Throttle plug (EZ) External Zero adjustment ¹⁾⁶⁾ (AJ) Calibration 0.5 % F.S. ⁴⁾ (PR) Receiver gauge ¹⁾ (TM) 2" Pipe mounting ¹⁾ (AT) ATEX listed ⁷⁾
(100) 100mm		(P) Socket and Tube Monel ¹⁾		(02) 1/4" NPT (M) (01) 1/8" NPT (M)		-1/ 1 -1/ 1.6 -1/ 2.5 -1/ 4 -1/ 6 -1/ 10 -1/ 16 -1/ 25 -1/ 40 -1/ 60 -1/ 100 -1/ 160 -1/ 250 -1/ 400 -1/ 600 -1/ 1000 -1/ 1600 ¹⁾ -1/ 2500 ¹⁾			
(115) 115mm		(D) Socket 316L, Tube Ni Span ¹⁾		(15) 1/2" BSP (M) ¹⁾ (14) 3/8" BSP (M) ¹⁾		0/ 0.6 ¹⁾ 0/ 1 0/ 1.6 0/ 2.5 0/ 4 0/ 6 0/ 10 0/ 16 0/ 25 0/ 40 0/ 60 0/ 100 0/ 160 0/ 250 0/ 400 0/ 600 0/ 1000 0/ 1600 ¹⁾ 0/ 2500 ¹⁾			
(150) 150mm		(H) Socket and Tube Hastelloy-C276 ¹⁾		(13) 1/4" BSP (M) (12) 1/8" BSP (M) (16) M20x1.5 (M) ¹⁾ (KQ) 1/2" BSPT (M) ¹⁾ (KR) 3/8" BSPT (M) ¹⁾ (KA) 1/4" BSPT (M)					
(250) 250mm		(I625) Socket and Tube Inconel 625 ¹⁾							

1) Not for size 63mm 2) For 63mm only 3) For dry gauges only 4) For 150 mm, 250 mm 5) Not for 0.6 kg/cm² 6) not for 250 mm
7) Not admissible with glass option (PD) 8) For size 100mm, 115mm, 150mm and pressure ranges 2.5 kg/cm² and above 9) Not available with Ex-proof

How to order

Size	Type	System material	Execution	Process connection	Connection orientation	Range	Engineering unit	Filling/Case material	Options	Certificate
150	WPS	S	L	04	L	0/16	BAR	=	NH	CD3

Precision Mass Products Pvt. Ltd.

Plot No.: 2306, G.I.D.C. Chhatral, Ta: Kalol, Dist.: Gandhinagar,
Chhatral -382729, Gujarat, India.
Telephone: +91-2764 233681/82/83 Fax: +91-2764-233440
Email: sales@precisionmass.com www.precisionmass.com

- North Zone : sales.delhi@precisionmass.com
- East zone : sales.kolkata@precisionmass.com
- West zone : sales.mumbai@precisionmass.com
- South zone : sales.chennai@precisionmass.com