

Screwed Thermowells

Model TWT

ASME B 40.200

Features

- Solid bore construction
- Materials according NACE MR 0175/ ISO 15156
- Selection of materials
- Standard and customer specifications
- ISO 228-1 and ANSI/ ASME B1.20.1 connections

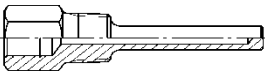
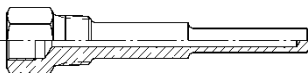
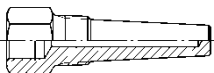
Ratings

from 620 bar at 20 °C
to 175 bar at 650 °C

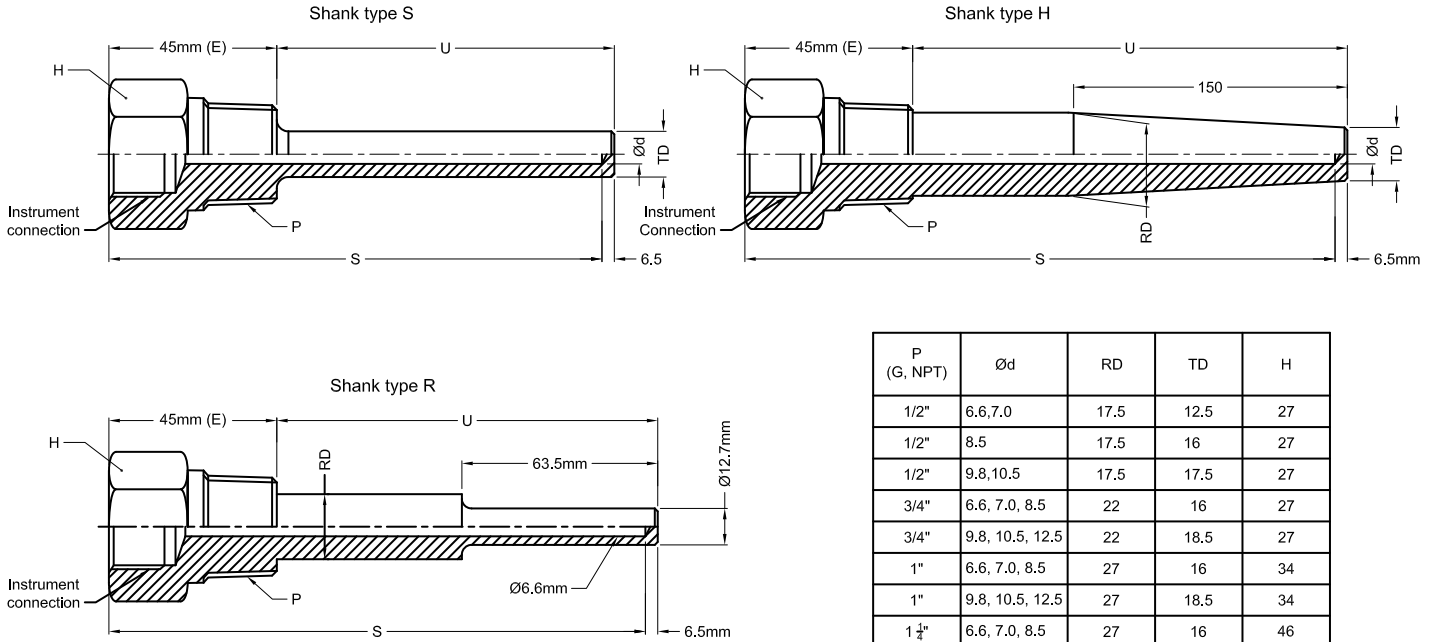
Applications

Chemical and petrochemical industry
Machine and apparatus construction
Food and beverage industry
Pulp and paper industry



Technical specification	S	R	H
Solid bore design			
Construction shank	Straight	Stepped	Tapered
Bore diameter in mm	6.6 7.0 9.8	10.5	12.5, others on request
Process connection size (ISO 228-1 / ASME B1.20.1)	1/2" BSP (M), 3/4" BSP (M), 1" BSP(M) 1/2" NPT (M), 3/4" NPT (M), 1" NPT (M), 1 1/4" NPT (M) Others on request		
Instrument connection	1/2" NPT (F) or 1/2" BSP (F)		
Material	Stainless steel 304 (1.4301), stainless steel 304L (1.4306), stainless steel 321 (1.4541) Stainless steel 316 (1.4401), stainless steel 316L (1.4404), stainless steel 316Ti (1.4571) Hastelloy B, Hastelloy C, Monel, Duplex, Nickel, Inconel Other materials or coatings on request		
Certifications & tests	Material certificate 3.1.B to EN 10 204, hydrostatic test, dye penetration test, X-ray, hardness test, NACE compliance certificate		
Accessories, options	Thermometers, RTD, thermocouples		

General dimensions in mm



P (G, NPT)	Ød	RD	TD	H
1/2"	6.6, 7.0	17.5	12.5	27
1/2"	8.5	17.5	16	27
1/2"	9.8, 10.5	17.5	17.5	27
3/4"	6.6, 7.0, 8.5	22	16	27
3/4"	9.8, 10.5, 12.5	22	18.5	27
1"	6.6, 7.0, 8.5	27	16	34
1"	9.8, 10.5, 12.5	27	18.5	34
1 1/4"	6.6, 7.0, 8.5	27	16	46
1 1/4"	9.8, 10.5, 12.5	27	18.5	46

Note:- Hex are used only for stainless steel material, for other material thermowells are made from round bars.

Order information

Process connection	U-length in mm	Instrument connection	Extension length	Shank type	Bore	Material	Options
(07) 1 1/4" NPT(M)	(U...) Specify length in mm ²⁾	(04T) 1/2" NPT(F)	(=) Standard, 45mm	(S) Straight	(6.6) 6.6mm	(B) Carbon steel	(NH) Stamped tag
(06) 1" NPT(M)				(R) Stepped	(7.0) 7.0mm	(C) 304	(CC) Cap & chain stainless steel
(05) 3/4" NPT(M)	E.g. (250) for u length 250mm	(15T) 1/2" BSP(F)	(EX) Specify extension length in mm	(H) Tapered	(8.5) 8.5mm	(CL) 304L	(BP) Buffed and polished
(04) 1/2" NPT(M) ¹⁾			E.g. (E100) for 100mm extension length		(9.8) 9.8mm	(S) 316	(BR) Machined from round bar
(18) 1" BSP(M)					(10.5) 10.5mm ³⁾	(SL) 316L	(IBR) IBR Certificate
(17) 3/4" BSP(M)					(12.5) 12.5mm ³⁾	(SH) 321	
(15) 1/2" BSP(M) ¹⁾						(ST) 316Ti	Certification
(33) M33 x 2(M)				others on request		(M) Monel	(CDWFC) Wake frequency ASME PTC 19.3
						(H) Hastelloy C	(CDRH) Rockwell hardness test
						(G) Hastelloy B	(XR2) X-ray for bore concentricity
						(N) Nickel	(CDW9) 100 bar 1 min.
						(DU) Duplex	(CD3) 3.1 Material certificate MR 0175
						(I600) Inconel 600	(CD5) NACE Certificate ⁴⁾
						Dimension	(CDMA) NACE MR 0175/ISO 15156-2005 ⁵⁾
						(HD) Hub dia.	(CDPMI) Positive material certificate
						(RD) Root dia.	

1) Max bore diameter 9.8mm and for bore 7.0, 8.5 & 9.8 only shank type (S) straight is available

2) Max length for solid bar stock is 700mm for stainless steel and 600mm for other material, lengths above as fabricated bar stock

3) Not for shank type R (stepped) 4) only for material (H) and (DU) 5) only for material (SL)

How to order

Process Connection	Type	U-length	Instrument connection	Extension length	Shank type	Bore diameter	Material	Dimension	Options	Certificate
05	TWT	250	04T	=	H	8.5	SL	HD28	NH	CD5

Precision Mass Products Pvt. Ltd.

Plot No.: 2306, G.I.D.C. Chhatral, Ta: Kalol, Dist.: Gandhinagar, Chhatral 382 729, Gujarat, India.

Telephone: +91- 2764 233681/82/83

Email: sales@precisionmass.com

Fax: +91-2764-233440

www.precisionmass.com

- North Zone : sales.delhi@precisionmass.com
- East zone : sales.kolkata@precisionmass.com
- West zone : sales.mumbai@precisionmass.com
- South zone : sales.chennai@precisionmass.com