

Stainless steel test gauge open front or solid front

Model TGS

Nominal size: 115mm (4.5"), 150 mm (6") or 250 mm (10")
 ASME B40.100 / EN 837-1 / IS-3624
 Accuracy: 0.5%, optional 0.25%

Features

- Rugged stainless steel construction
- Protection IP66/ IP68
- Usable to full scale
- Overload protection 130 %
- Dry, liquid filled
- Measuring system stainless steel all welded
- Optional external Zero Adjustment

Ranges

-30 in. Hg ... 0 psi up to 0 ... 15,000 psi
 -1 ... 0 bar up to 0 ... 1000 bar & kg/cm²
 -100 ... 0 kPa up to 0 ... 100,000 kPa

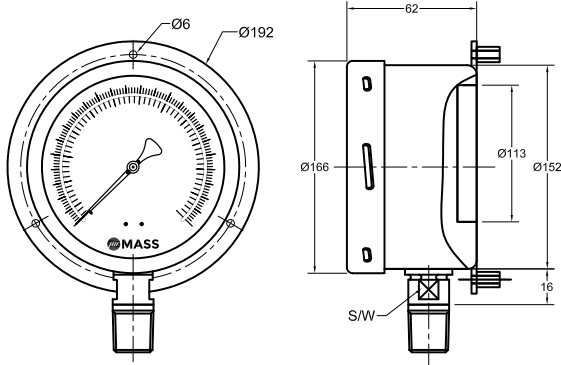
Applications

Chemical & petrochemical industries
 Machine and apparatus construction
 Food and beverage industries
 Pulp and paper industries

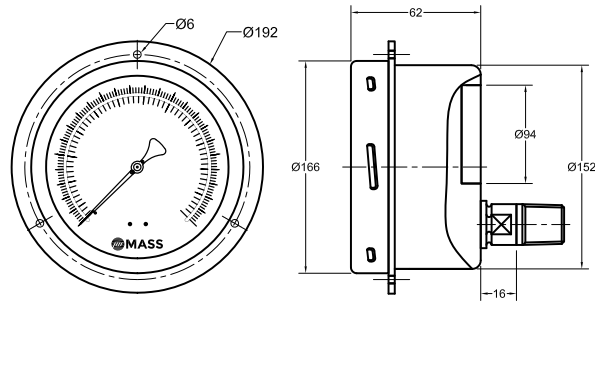


Technical specification	TGS		
	115	150	250
Dial size in mm	115	150	250
Construction	Open front cylindrical case with snap action bayonet ring, optional solid front for 150mm		
Measuring principle	Bourdon tube		
Range in kg/cm ² (or bar)	0.6 1 1.6 2.5 4 6 10 16 25 40 60 100 160 250 400 600 1000 -1/0 -1/0.6 -1/1.5 -1/3 -1/5 -1/9 -1/15 -1/24		
Overpressure limit	130 % F.S., short time.		
Pressure type	Gauge, vacuum and compound		
Process connection	1/4" 3/8" 1/2" BSP / NPT (M), M20x1.5 (M) Others on request		
Connection location	Lower, back		
Material			
Pressure connection	Stainless steel 316L, optional Monel		
Tube	Stainless steel 316L, optional Monel		
Case/bayonet ring	Stainless steel 304, optional 316L		
Window	Instrument glass, optional laminated safety glass, acrylic glass		
Dial	Aluminum, black markings on white background, with polished mirror band (except size 115)		
Pointer	Aluminum, black knife edge, optional - micrometer adjustment others on request		
Movement	Stainless steel		
Accuracy	0.5 % F.S., optional 0.25 % F.S.		
Permissible			
Ambient temperature	-40 ... 60 °C (-40 ... 140 °F)		
Medium temperature	Max. 100 °C (212 °F)		
Storage temperature	-40 ... 60 °C (-40 ... 140 °F)		
Effect	Max. 0,3 % / 10 K		
Protection according	IP66 / IP68		
Filling liquids	Glycerin, silicone, halocarbon, others on request		
Mounting	Standard stem, optional panel, bracket, surface or others on request		
Weight dry/filled in kg	0.53 / 0.88	0.87 / 1.68	1.99 / 4.09
Accessories, options	Valves		

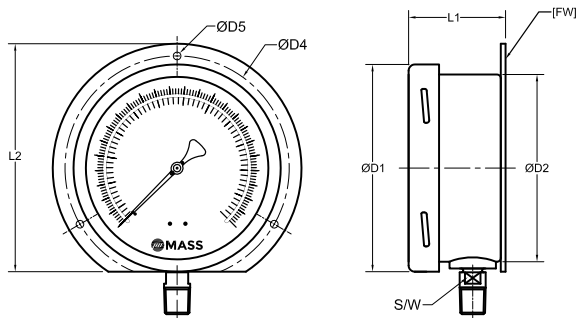
General dimensions in mm



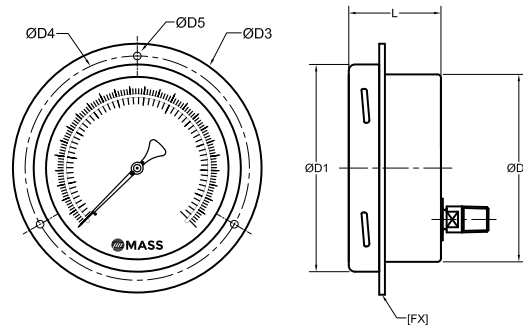
Lower Connection Surface Mounting with Solid Front



Back Connection Front Panel Mounting with Solid Front



Lower Connection Surface Mounting with Open Front



Back Connection Front Panel Mounting with Open Front

DIAL SIZE	115	150	250
ØD1	127	166	265
ØD2	114.5	152	252
D3	152	192	-
D4	137	168	-
D5	6	6	-
L	50	50	53
L1	52.5	52.5	-
L2	140	176	-
SW	17	17	17

Order information

Size	Type	System material	Execution	Process connection	Connection orientation	Range	Engineering units	Filling/case material	Options	
(115) 115mm ¹⁾	TGS	(S) Socket and Tube 316L	(L) IP66/68	(04) 1/2" NPT (M)	(L) Lower	-1/ 0	kg/cm ² (bar)	(=) Standard no filling	(NH) SS wired tag	
(150) 150mm				(03) 3/8" NPT (M)	(B) Back	-1/ 0.6			(YW) SS316L Case	(SD) Special Dial
(250) 250mm				(02) 1/4" NPT (M)		-1/ 1.5				(CS) Dual Scale
		(P) Socket and Tube Monel		(15) 1/2" BSP (M)		-1/ 3		(OF) Oil free		
				(14) 3/8" BSP (M)		-1/ 5		(PD) Acrylic glass		
				(13) 1/4" BSP (M)		-1/ 9		(MP) Micrometer pointer		
				(16) M20x1.5 (M)		-1/ 15		(EZ) External Zero adjustment ²⁾		
						-1/ 24		(SG) Safety glass		
						0/ 0.6		(FX) Front panel		
						0/ 1		(FW) Surface plate		
						0/ 1.6		(UF) U-clamp ³⁾		
						0/ 2.5		(SF) Solid front ²⁾		
						0/ 4		(AQ) Calibrated 0.25% ⁴⁾		
						0/ 6				
						0/ 10				
						0/ 16				
						0/ 25				
						0/ 40				
						0/ 60				
						0/ 100				
						0/ 160				
						0/ 250				
						0/ 400				
						0/ 600				
						0/ 1000				
							Equivalent ranges in kPa, MPa, psi, bar and others units available			
									Certificate	
									(CD3) 3.1 Material Certi.	

1) Plain dial, no polished mirror band 2) Only for 150mm 3) Not for solid front (SF), not for size (250) 4) Only for system Material (M)

How to order

Size	Type	System material	Execution	Process connection	Connection orientation	Range	Engineering unit	Filling/Case material	Options	Certificate
150	TGS	S	L	04	L	0/16	BAR	=	NH	CD3

Precision Mass Products Pvt. Ltd.

Plot No.: 2306, G.I.D.C. Chhatral, Ta: Kalol, Dist.: Gandhinagar, Chhatral -382729, Gujarat, India.

Telephone: +91-2764 233681/82/83

Email: sales@precisionmass.com

Fax: +91-2764-233440

www.precisionmass.com

- North Zone : sales.delhi@precisionmass.com
- East zone : sales.kolkata@precisionmass.com
- West zone : sales.mumbai@precisionmass.com
- South zone : sales.chennai@precisionmass.com