

All stainless steel safety process gauges

Model SFS

Nominal size: 100 mm (4"), 115 mm (4.5"), 150 mm (6")

ASME B40.100 / EN 837-1 / IS-3624

Accuracy: Class 1 (1%)

Features

- Solid front type construction
- Rugged stainless steel construction
- Measuring system stainless steel or Monel
- Socket and case welded
- Protection IP66/ IP68
- Usable to full scale
- Overload protection 130%
- Dry, liquid filled
- Optional external Zero Adjustment




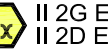
Ranges

-30 in. Hg ... 0 psi up to 0 ... 36,000 psi
 -1 ... 0 bar up to 0 ... 2500 bar & kg/cm²
 -100 ... 0 kPa up to 0 ... 250,000 kPa

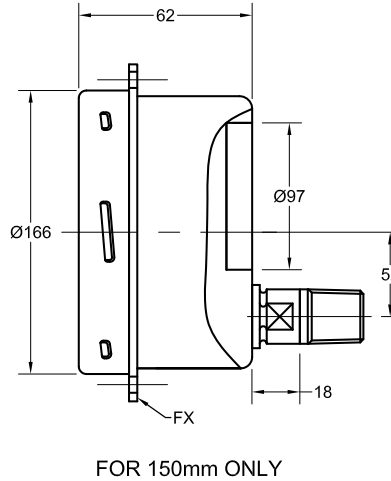
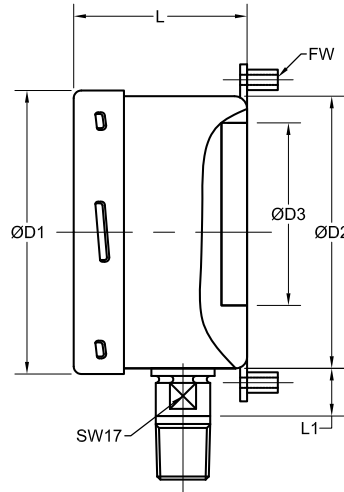
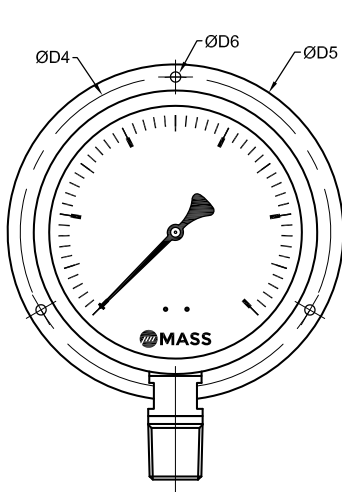
Applications

Chemical, petrochemical industry, petroleum refinery
 Fertilizer, thermal & nuclear power generation industry
 Machine and apparatus construction



Technical specification	SFS		
	100	115	150
Dial size in mm	100	115	150
Construction	Solid front safety pattern cylindrical case with blowout at the back		
Measuring principle	Bourdon tube		
Range in kg/cm ² (or bar)	0.6 1 1.6 2.5 4 6 10 16 25 40 60 100 160 250 400 600 1,000 1,600 2,500 -1/0 -1/0.6 -1/1.5 -1/3 -1/5 -1/9 -1/15 -1/24		
Overpressure limit	130 % F.S., short time.		
Pressure type	Gauge, vacuum and compound		
Process connection	1/4" 3/8" 1/2" BSP / NPT (M) , M20x1.5 (M), Others on request		
Connection location	Lower, back(for 150 mm only)		
Material	Pressure connection: Stainless steel 316L, optional Monel, Hastelloy C276, Inconel 625 Tube: Stainless steel 316L, optional Monel, Ni Span, Hastelloy C276, Inconel 625 Case/bayonet ring: Stainless steel 304, optional 316L Window: laminated safety glass Dial: Aluminum, black markings on white background Pointer: Aluminum, black optional - micrometer adjustment others on request Movement: Stainless steel 304, optional 316L		
Accuracy	Class 1 (1 % F.S.), optional 0,5 % F.S.		
Permissible	Ambient temperature: -40 ... 60 °C (-40 ... 140 °F) Medium temperature: Max. 200 °C (392 °F) (dry), max. 100 °C (212 °F) (for liquid filled) Storage temperature: -40 ... 60 °C (-40 ... 140 °F) Effect: Max. 0,3 % / 10 K		
Protection according	IP66/ IP68		
Optional Approval	Conformity according to 2014/34/EU for mechanical equipment in potential hazardous areas  II 2G Ex h IIC T6..T1 Gb X  II 2D Ex h IIC T85..T450°C Db X		
Filling liquids	Glycerin, silicone, halocarbon, others on request		
Mounting	Standard stem, optional flush, surface		
Weight dry/filled in kg	0.63 / 1.02	0.76 / 1.65	1.14 / 2.08
Accessories, options	NACE compliance, diaphragm seals, valves, electric contacts, dampener, gauge saver, syphon etc		

General dimensions in mm



DIAL SIZE	100	115	150
ØD1	109	127	166
ØD2	99	115	152
ØD3	85	97	113
ØD4	118	136	168
ØD5	132	152	186
ØD6	6	6	6
L	58	58	62
L2	13	18	18

Order information

Size	Type	System material	Execution	Process connection	Connection orientation	Range	Engineering units	Filling/Case material	Options
(100) 100 mm	SFS	(S) Socket and Tube 316L	(L) IP66/68	(04)1/2" NPT (M)	(L) Lower	-1/ 0 -1/ 0.6	kg/cm2 (bar)	(=) Standard no filling	(NH) SS wired tag
(115) 115mm		(P) Socket and Tube Monel		(03)3/8" NPT (M)	(B) Back ²⁾	-1/ 1.5 -1/ 3		(GV) Silicone ¹⁾	(SD) Special Dial
(150) 150mm		(D) Socket 316L, Tube Ni Span		(02)1/4" NPT (M)		-1/ 5 -1/ 9		(GR) Glycerin ¹⁾	(CS) Dual scale
		(H) Socket and Tube Hastelloy-C276		(15)1/2" BSP (M)		-1/ 15		(GX) Halocarbon ¹⁾	(OF) Oil free
		(1625) Socket and Tube Inconel 625		(14)3/8" BSP(M)		0/ 0.6 0/ 1 0/ 1.6 0/ 2.5 0/ 4 0/ 6 0/ 10 0/ 16 0/ 25 0/ 40 0/ 60 0/ 100 0/ 160 0/ 250 0/ 400 0/ 600 0/ 1000 0/ 1400 0/ 1600 0/ 2500		(YW) SS316L Case	(MP) Micrometer pointer
				(13)1/4" BSP(M)				(EC) Contact type and function (see EC.1) ^{1) 5)}	(EZ) External Zero adjustment ³⁾
				(16)M20x1.5(M)					(FX) Front panel
									(FW) Surface plate
									(TU) Throttle plug
									(AJ) Calibration 0.5 % F.S. ²⁾
									(AV) Anti-Vibration ⁴⁾
									(AT) ATEX listed
									(TM) 2" pipe mounting bracket ³⁾
									Certificate
									(CD3) 3.1 Material Certi.

Others on request

Equivalent ranges in kPa, MPa, psi, bar and others units available

1) Not for range 0.6 kg/cm² 2) For size 150mm and range up to 0/700 kg/cm² only filling not allowed & consult engineering 3) For size 150mm only 4) For pressure ranges ≥ 2.5 kg/cm² & available with limited options, Halocarbon 5) Not available with Ex-proof

How to order

Size	Type	System material	Execution	Process connection	Connection orientation	Range	Engineering unit	Filling/Case material	Options	Certificate
100	SFS	S	L	04	L	0/16	BAR	=	NH	CD3

Precision Mass Products Pvt. Ltd.

Plot No.: 2306, G.I.D.C. Chhatral, Ta: Kalol, Dist.: Gandhinagar, Chhatral -382729, Gujarat, India.

Telephone: +91- 2764 233681/82/83

Email: sales@precisionmass.com

Fax: +91-2764-233440

www.precisionmass.com

- North Zone : sales.delhi@precisionmass.com
- East zone : sales.kolkata@precisionmass.com
- West zone : sales.mumbai@precisionmass.com
- South zone : sales.chennai@precisionmass.com