

# Diaphragm type pressure gauge

## Model SDS

Nominal size: 100 mm (4"), 150 mm (6")

ASME B40.100 / EN 837-3 / IS-3624

Accuracy: Class 1.6 (1.6%), optional 1.0%

### Features

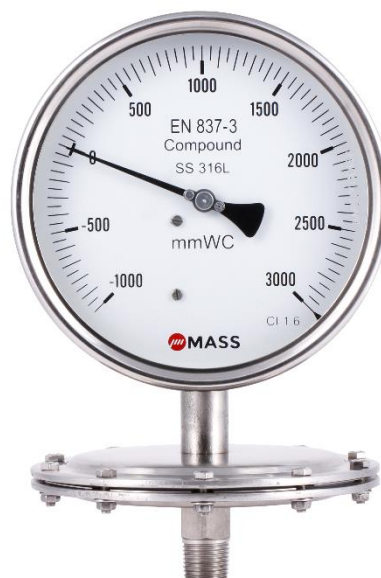
- Stainless steel construction
- Suitable for corrosive environments
- Protection IP66/ IP68
- Usable to full scale
- Overload protection 130%
- Optional solid front protection

### Ranges

-30 in. Hg ... 0 psi up to 0 ... 30 psi

-1 ... 0 bar up to 0 ... 2.5 bar & kg/cm<sup>2</sup>

-100 ... 0 kPa up to 0 ... 250 kPa





### Applications

Chemical and petrochemical industry

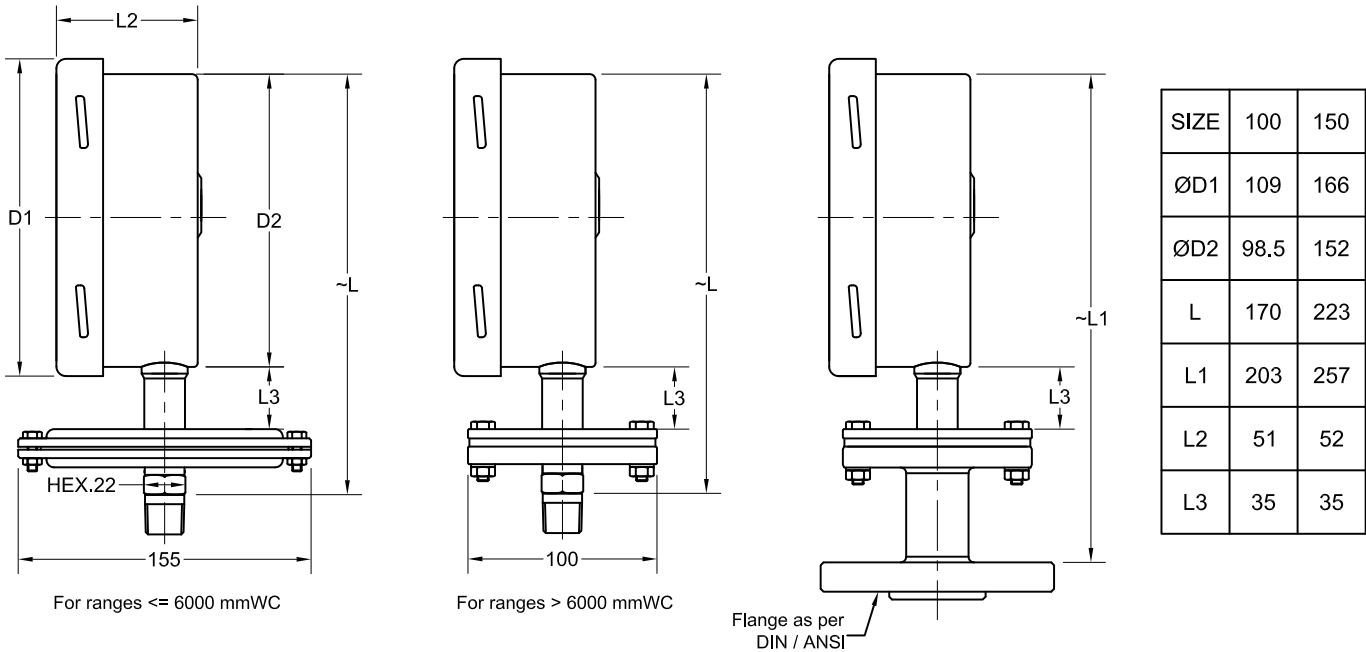
Machine and apparatus construction

Food and beverage industry

Pulp and paper industry

Technical specification	SDS	
	100	150
Dial size [mm]	100	150
Construction	Open front cylindrical case with snap action bayonet ring with blow out disc	
Measuring principle	Horizontal diaphragm	
Range [mmwc]	250 400 600 1000 1600 2500 4000 -250/0 -400/0 -600/0 -1000/0 -1600/0 -2500/0 -4000/0	
[kg/cm <sup>2</sup> (or bar)]	0,6 1,0 1,6 2,5 -1/0 -1/0,6 -1/1,5	
Overpressure limit	130 % F.S., short time.	
Pressure type	Gauge, vacuum and compound	
Process connection	1/4" 3/8" 1/2" BSP / NPT (M), M20x1.5(M) Direct flange as per DIN/ANSI Others on request	
Connection location	Lower	
Material	Process connection: Stainless steel 316L, optional PTFE lined, Hastelloy C276, Inconel 625, Monel Diaphragm: Stainless steel 316L, optional PTFE protected, Hastelloy C276, Inconel 625, Tantalum, Monel Case/bayonet ring: Stainless steel 304 optional 316L Window: Instrument glass optional laminated safety glass Dial: Aluminum, black markings on white background Pointer: Aluminum, black, optional micrometer adjustment Movement: Stainless steel 304, optional 316L	
Accuracy	Class 1.6 (1.6 % F.S.)	
Permissible	Ambient temperature: -40 ... 60 °C (-40 ... 140 °F) Medium temperature: Max. 100 °C (212 °F) Storage temperature: -40 ... 60 °C (-40 ... 140 °F) Effect: Max. 0,5 % / 10 K	
Protection according	IP66/ IP68	
Optional Approval	Conformity according to 2014/34/EU for mechanical equipment in potential hazardous areas  II 2G Ex h IIC T6..T1 Gb X  II 2D Ex h IIIC T85..T450°C Db X	
Mounting	Standard stem or flange	
Weight ≤ 600 mbar / > 600 mbar [kg]	1.66 / 1.26	1.99 / 1.59
Accessories, options	Valves, dampener, gauge saver, etc.	

## General dimensions in mm



## Order information

Size	Type	System material	Process connection	Rating	Facing	Range	Engineering units	Case material	Options										
(100) 100 mm	SDS	(S) Diaphragm and Pressure chamber SS316L	(04) 1/2" NPT (M)	(NA)	(T)	-250/ 0	(mmWC)	(=) Standard	(NH) SS wired tag										
(150) 150 mm			(03) 3/8" NPT (M) <sup>2)</sup>			(YW) SS316L Case				(02) 1/4" NPT (M) <sup>2)</sup>	-400/ 0	(CS) Dual scale							
			(15) 1/2" BSP (M)							(14) 3/8" BSP(M) <sup>2)</sup>	-600/ 0		(OF) Oil free						
			(14) 3/8" BSP(M) <sup>2)</sup>							(13) 1/4" BSP(M) <sup>2)</sup>	-1000/ 0			(MP) Micrometer pointer					
			(13) 1/4" BSP(M) <sup>2)</sup>							(16) M20x1.5(M)	-1600/ 0				(SG) Safety glass				
			ANSI Flanged							(150) 150 lbs	(FF) Flat face <sup>1)</sup>					-2500/ 0	(SD) Special Dial		
			(SJ.SP) Diaphragm 316L PFA Coated & pressure chamber 316L, PTFE Lined							(05) 1/2"	(300) 300 lbs					(RF) Raised face <sup>1)</sup>		0/ 250	(kg/cm <sup>2</sup> ) (bar)
										(07) 3/4"	(600) 600 lbs							0/ 400	
										(10) 1"								0/ 600	
										(15) 1 1/2"								0/ 1000	
(20) 2"		0/ 1600																	
DIN Flanged		(PN10)		0/ 2500	Equivalent ranges in kPa, MPa, psi, bar and others on request														
(H) Diaphragm and pressure chamber Hastelloy- C276	(DN15)	(PN16)		0/ 4000															
	(DN25)	(PN25)		-1/ 0															
	(DN40)			-1/ 1,5															
	(DN50)			0/ 0,6															
(I625) Diaphragm and pressure chamber Inconel 625				0/ 1															
				0/ 1,6															
				0/ 2,5															
Certificate																			
(CD3) 3.1 Material Certi.																			

1) The DIN-flange facing depends on nominal size and nominal pressure 2) Not for system material (SP) 3) Not admissible with glass option (PD)  
4) Available for limited ranges and options, consult engineering

## How to order

Size	Type	System material	Process connection	Rating	Facing	Range	Engineering unit	Case material	Options	Certificate
100	SDS	S	04	NA	T	0/400	MBAR	=	NH	CD3

## Precision Mass Products Pvt. Ltd.

Plot No.: 2306, G.I.D.C. Chhatral, Ta: Kalol, Dist.: Gandhinagar, Chhatral -382729, Gujarat, India.

Telephone: +91-2764 233681/82/83

Email: sales@precisionmass.com

Fax: +91-2764-233440

www.precisionmass.com

- North Zone : sales.delhi@precisionmass.com
- East zone : sales.kolkata@precisionmass.com
- West zone : sales.mumbai@precisionmass.com
- South zone : sales.chennai@precisionmass.com