

Industrial Pressure Transmitter

Model PT21

Features

- Compact design
- Rugged stainless steel construction
- High shock and vibration stability
- Accuracy 0.5% BFSL
- Reverse polarity protection
- Current and Voltage Outputs
- Protection IP67 / IP 65

Ranges

0 ... 15 psi up to 0 ... 6,000 psi
 0 ... 1 bar up to 0 ... 400 bar & kg/cm²
 0 ... 100 kPa up to 0 ... 40,000 kPa

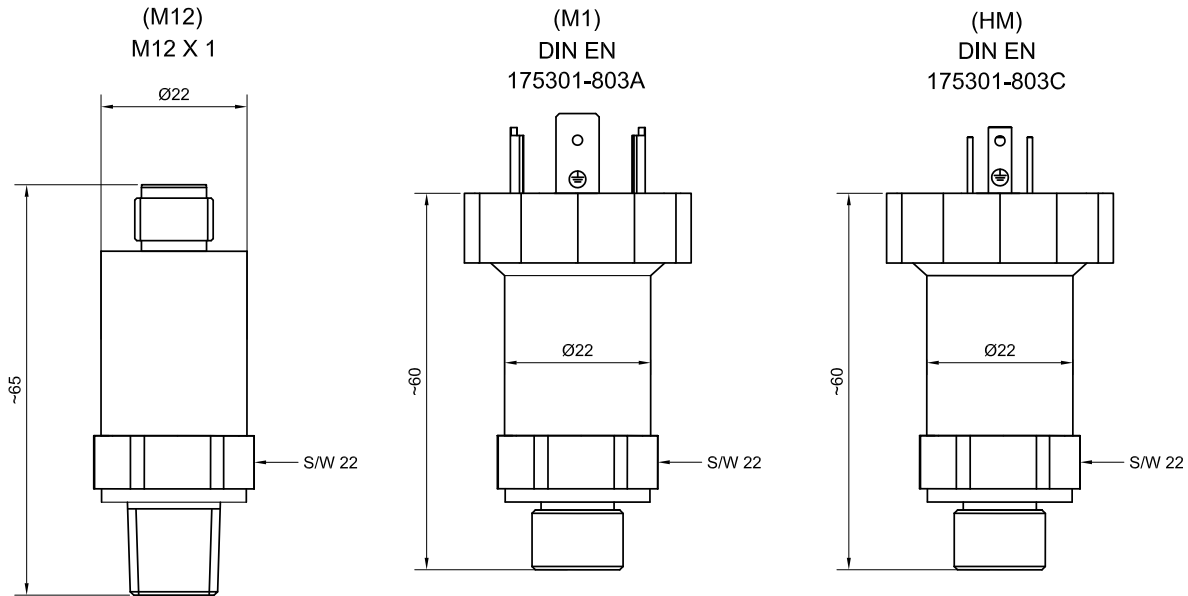
Applications

Machine and construction apparatus
 Hydraulic and Pneumatic systems
 Refrigeration and air conditioning
 OEM applications
 Automation



| Technical specifications | PT21 | | | | | |
|------------------------------------|--|--------------------------|--------------------------|---------------------------|--------------------------|-----------------------------|
| Measuring principle | Ceramic sensor | | | | | |
| Range in bar (kg/cm ²) | 1 1.6 2.5 4 6 10 16 25 40 60 100 160 250 400 | | | | | |
| Overpressure limit | -1/0 -1/3 -1/5 -1/9 -1/15 | | | | | |
| Pressure type | Max. 150 % F.S. Subjected to Max. 600 bar overpressure, high over limit on request | | | | | |
| Process connection | Gauge, Vacuum and Compound | | | | | |
| Material Wetted Part | G 1/4 male according DIN 3852 Part 11 Form E, 1/4" NPT (M), 1/2" NPT (M), 1/2" BSP (M) Others on request | | | | | |
| Process connection | Stainless Steel 300 series | | | | | |
| Sensor | Ceramic (Al ₂ O ₃) | | | | | |
| Housing | Stainless Steel 300 series | | | | | |
| Seals | NBR | | | | | |
| Power supply | 11 ... 28 VDC | | 14 ... 28 VDC | | 5 VDC ± 10% | |
| Output signal | 4 ... 20 mA (2 wires) | 0 ... 5 VDC (3 wires) | 1 ... 5 VDC (3 wires) | 0 ... 10 VDC (3 wires) | 1 ... 9 VDC (3 wires) | 0.5 ... 4.5 RM (3 wires) |
| Maximum Loop Resistance | (U – 12V)/0.02 Ω | | | | | |
| Insulation Voltage | 100MΩ @ 100 VDC | | | | | |
| Electrical connection | 4 PIN angle connector DIN EN 175301-803 A, DIN EN 175301-803 C (IP65) M12 Round Connector , Direct Cable Connection | | | | | |
| Accuracy | ≤ 0,5 % BFSL | | | | | |
| Long term stability | ≤ 0,5 % FS / year | | | | | |
| Permissible | | | | | | |
| Ambient temperature | -10 ... 80 °C | | | | | |
| Medium temperature | -25 ... 110 °C | | | | | |
| Storage temperature | -25 ... 85 °C | | | | | |
| Stability | | | | | | |
| Vibration resistance | 10gRMS, (20~2000) Hz | | | | | |
| Shock resistance | 100g, 11ms | | | | | |
| Protection acc. EN 60 529/IEC 529 | IP67 / IP65, depending on cable entry | | | | | |
| Weight in kg | ~ 0.20 | | | | | |

General dimensions in mm



| Pin | 2 wire (Ampere Output) | 3 wire (Voltage Output) |
|-----|------------------------------|-------------------------------|
| 1 | + Ve | + Ve |
| 2 | - Ve | - Ve |
| 3 | X | + signal |
| 4 | X | X |

Order information

| Output signal | Accuracy | Range | Engineering unit | Protection | Process connection | Electrical connection | Options |
|-------------------|-------------------------------|---|------------------|------------------------------------|-------------------------------|--|--|
| (42) 4/20 mA | (B50) $\leq 0,50\%$ (BFSL) | -1/ 0 | bar | (=) IP65 (N) IP67 ¹⁾ | (MG9) G ¼ A male Form E | (M1) 4 Pin Angle connector DIN EN 175301-803 A | (NH) SS wired tag |
| (05) 0/5 VDC | | -1/ 3 | | | | | |
| (15) 1/5 VDC | | -1/ 9 | | | (04) 1/2" NPT (M) | (HM) 4 Pin Angle connector DIN EN 175301-803 C | |
| (10) 0/10 VDC | | 0/ 1 | | | (02) 1/4" NPT (M) | | Certificate |
| (19) 1/9 VDC | | 0/ 1,6 | | | (15) 1/2" BSP (M) | (M12) M12 Circular Connector | (CD4) 4 Point Calibration Certi. |
| others on request | | 0/ 2,5 0/ 4 0/ 6 0/ 10 0/ 16 0/ 25 0/ 40 0/ 60 0/ 100 0/ 160 0/ 250 0/ 400 | | | others on request | | |

1) For electric Connection M12 only

How to order

| | | | | | | | | | |
|------|---------------|----------|-------|------------------|------------|--------------------|-----------------------|---------|-------------|
| Type | Output signal | Accuracy | Range | Engineering unit | Protection | Process connection | Electrical connection | Options | Certificate |
| PT21 | 42 | B50 | 0/10 | BAR | = | MG9 | M1 | NH | CD4 |

Precision Mass Products Pvt. Ltd.

Plot No.: 2306, G.I.D.C. Chhatral, Ta: Kalol, Dist.: Gandhinagar,
Chhatral -382729, Gujarat, India.

Telephone: +91-2764 233681/82/83

Email: sales@precisionmass.com

Fax: +91-2764-233440

www.precisionmass.com

- North Zone : sales.delhi@precisionmass.com
- East zone : sales.kolkata@precisionmass.com
- West zone : sales.mumbai@precisionmass.com
- South zone : sales.chennai@precisionmass.com