

Industrial Pressure Transmitter

Model PT16

Features

- Rugged stainless-steel construction
- Temperature compensated
- Reverse polarity and limit protection
- High accuracy, stability, and reliability
- Protection IP67 / IP65

Ranges

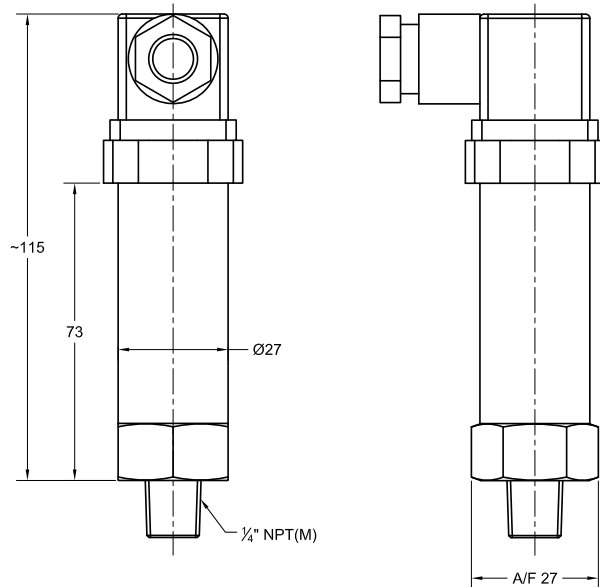
0 ... 3.6 psi up to 0 ... 10,000 psi
 0 ... 0.25 bar up to 0 ... 700 bar & kg/cm²
 0 ... 25 kPa up to 0 ... 70,000 kPa

Applications

Equipment testing
 Research & Development
 Emissions monitoring
 Automation

Technical specifications	PT16
Measuring principle	Piezo resistive sensors
Range in mbar	250 400 600
Range in bar (kg/cm ²)	1 1.6 2.5 4 6 10 16 25 40 60 100 160 250 400 600 700 -1/0 -1/1 -1/3 -1/5 -1/9 -1/15
Overpressure limit	130% of FS
Pressure type	Gauge, Vacuum, Compound and Absolute
Process connection	1/4" NPT (M), Others on request
Material Wetted Part	
Process connection	Stainless Steel 316L
Sensor	Stainless Steel 316L
Housing	Stainless Steel 300 series
Seals	FKM
Power supply	11 ... 28 VDC
Output signal	4 ... 20 mA (2 wires) 0 ... 5 VDC (3 wires) RS485 14 ... 28 VDC (3 wires) 0 ... 10 VDC (3 wires)
Maximum Loop Resistance	(U – 12V)/0.02 A
Insulation Voltage	100V, 100MΩ
Electrical connection	4 PIN angle connector DIN EN 175301-803 A (IP65) M12 Round Connector (IP67)
Accuracy	≤ 0,1 % FS Temperature compensated over -10 to 80 C (Including Linearity, Hysteresis, Repeatability, Zero & Span offset) Extended temperature compensation range on request
Long term stability	≤ 0,1 % FS
Permissible	
Operation temperature	-20 ... 80 °C
Medium temperature	-40 ... 125 °C
Storage temperature	-25 ... 85 °C
Stability	
Vibration resistance	10gRMS, (20~2000) Hz
Shock resistance	100g, 11ms
EMC	IEC 61326
Certificate	10 point Calibration Certificate, optional NABL Accredited certificate.
Protection acc. EN 60 529/IEC 529	IP67 / IP65, depending on cable entry
Weight in kg	~ 0.30

General dimensions in mm



Pin	2 wire (Ampere Output)	3 wire (Voltage Output)
1	+ Ve	+ Ve
2	- Ve	- Ve
3	X	+ signal
4	X	X

Dimensions are for reference only, may change according to configuration

Order information

Output signal	Accuracy	Range	Engineering unit	Protection	Process connection	Electrical connection	Options
(42) 4/20 mA	(T10) $\leq 0,10\%$ temperature compensated	0/ 250	mbar	(=) IP65	(02) 1/4" NPT (M)	(M1) 4 Pin Angle connector DIN EN 175301-803 A ³⁾	(NH) SS wired tag
(05) 0/5 VDC		0/ 400					
(10) 0/10 VDC	(Including Linearity, Hysteresis, Zero & Span offset for -10 to 80 C)	-1/ 0	bar			(M12) M12 Circular Connector	Certificate
(485) RS485		-1/ 1					
		-1/ 3					
		-1/ 5					
		-1/ 9					
		-1/ 15					
		0/ 1					
		0/ 1,6					
		0/ 2,5					
		0/ 4					
0/ 6							
0/ 10							
0/ 16							
0/ 25							
0/ 40							
0/ 60							
0/ 100							
0/ 160							
0/ 250							
0/ 400							
0/ 600							
0/ 700							
others on request	Extended temperature range on request	others on request	bara ¹⁾ (absolute)	Equivalent ranges in kPa, MPa, psi, kg/cm ² and others units available	others on request		(CD4) 4 Point Calibration Certi.

1) Available for ranges 0.4 to 70 bar (6 to 1000 psi) 2) For electric Connection M12 only 3) IP65 only

How to order

Type	Output signal	Accuracy	Range	Engineering unit	Protection	Process connection	Electrical connection	Options	Certificate
PT16	42	T10	0/10	BAR	=	02	M1	NH	CD4

Precision Mass Products Pvt. Ltd.

Plot No.: 2306, G.I.D.C. Chhatral, Ta: Kalol, Dist.: Gandhinagar, Chhatral -382729, Gujarat, India.

Telephone: +91-2764 233681/82/83

Email: sales@precisionmass.com

Fax: +91-2764-233440

www.precisionmass.com

- North Zone : sales.delhi@precisionmass.com
- East zone : sales.kolkata@precisionmass.com
- West zone : sales.mumbai@precisionmass.com
- South zone : sales.chennai@precisionmass.com