

Flush Pressure Transmitter

Model PT14

Features

- Flush Diaphragm
- High vibration stability
- Rugged stainless steel construction
- Reverse polarity and limit protection
- High accuracy, stability, and reliability
- Protection IP67 / IP65

Ranges

0 ... 1.5 psi up to 0 ... 3,600 psi
 0 ... 0.1 bar up to 0 ... 250 bar & kg/cm²
 0 ... 10 kPa up to 0 ... 25,000 kPa

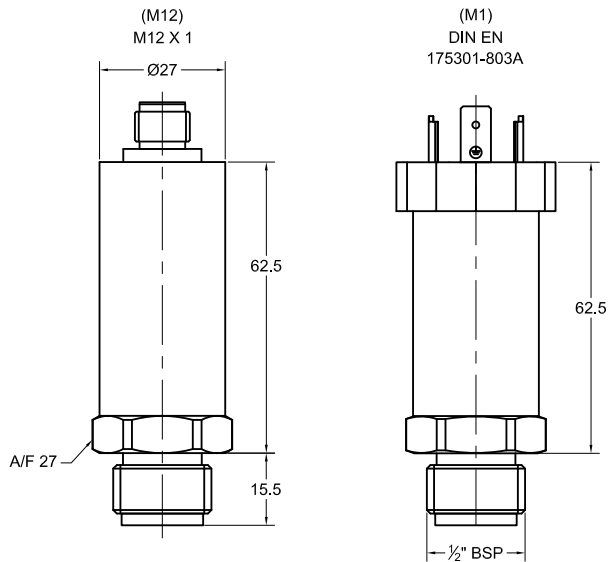
Applications

Dosing Systems
 Pharmaceuticals
 Food Processing
 Biotechnology and filtration industries
 Breweries, distilleries



Technical specifications	PT14			
Measuring principle	Piezo resistive sensors			
Range in mbar	100 160 250 400 600			
Range in bar (kg/cm ²)	1 1.6 2.5 4 6 10 16 25 40 60 100 160 250			
Overpressure limit	-1/0 -1/3 -1/5 -1/9 -1/15			
Pressure type	130% of FS			
Process connection	Gauge, Vacuum, Compound and Absolute			
Material Wetted Part	Flush Diaphragm Type G 1/2 male or G1 male			
Process connection	Stainless Steel 316L			
Sensor	Stainless Steel 316L			
Housing	Stainless Steel 300 series			
Seals	FKM			
Power supply	11 ... 28 VDC	14 ... 28 VDC	5 VDC ± 10%	
Output signal	4 ... 20 mA (2 wires)	0 ... 5 VDC (3 wires)	1 ... 5 VDC (3 wires)	0 ... 10 VDC (3 wires) 1 ... 9 VDC (3 wires) 0.5 ... 4.5 RM (3 wires)
Maximum Loop Resistance	(U – 12V)/0.02 A			
Insulation Voltage	100V, 100MΩ			
Electrical connection	4 PIN angle connector DIN EN 175301-803 A, DIN EN 175301-803 C (IP65) M12 Round Connector (IP67), Direct Cable Connection			
Accuracy	≤ 0,5 % FS, optional ≤ 0,25 % FS (Including Linearity, Hysteresis, Zero offset & Span offset), at Room Temperature			
Long term stability	≤ 0,2 % FS / year			
Permissible				
Operation temperature	-20 ... 80 °C			
Medium temperature	-40 ... 125 °C			
Storage temperature	-25 ... 85 °C			
Stability				
Vibration resistance	10gRMS, (20~2000) Hz			
Shock resistance	100g, 11ms			
Protection acc. EN 60 529/IEC 529	IP67 / IP65, depending on cable entry			
Weight in kg	~ 0.20			

General dimensions in mm



Pin	2 wire (Ampere Output)	3 wire (Voltage Output)
1	+ Ve	+ Ve
2	- Ve	- Ve
3	X	+ signal
4	X	X

Order information

Output signal	Accuracy	Range	Engineering unit	Protection	Process connection	Electrical connection	Options
(42) 4/20 mA	(050) $\leq 0,50\%$	0/ 100	mbar	(=) IP65	(15) 1/2" BSP (M)	(M1) 4 Pin Angle connector DIN EN 175301-803 A ³⁾	(NH) SS wired tag
(05) 0/5 VDC	(025) $\leq 0,25\%$	0/ 160		(N) IP67 ²⁾	(18) 1" BSP (M)		
(15) 1/5 VDC	(Including Linearity, Hysteresis, Zero offset & Span offset)	0/ 250				(M12) M12 Circular Connector	
(10) 0/10 VDC		0/ 400	bar				
(19) 1/9 VDC		0/ 600	bara ¹⁾				
		-1/ 0	(absolute)				
		-1/ 3					
		-1/ 5					
		-1/ 9					
		0/ 1					
		0/ 1,6					
		0/ 2,5					
	0/ 4						
	0/ 6						
	0/ 10						
	0/ 16						
	0/ 25						
	0/ 40						
	0/ 60						
	0/ 100						
	0/ 160						
	0/ 250						
others on request		others on request	Equivalent ranges in kPa, MPa, psi, kg/cm ² and others units available		others on request		Certificate (CD4) 4 Point Calibration Certi.

1) Available for ranges 1 to 60 bar (15 to 1000 psi) 2) For electric Connection M12 only 3) IP65 only

How to order

Type	Output signal	Accuracy	Range	Engineering unit	Protection	Process connection	Electrical connection	Options	Certificate
PT14	42	025	0/10	BAR	=	15	M1	NH	CD4

Precision Mass Products Pvt. Ltd.

Plot No.: 2306, G.I.D.C. Chhatral, Ta: Kalol, Dist.: Gandhinagar, Chhatral -382729, Gujarat, India.

Telephone: +91-2764 233681/82/83

Email: sales@precisionmass.com

Fax: +91-2764-233440

www.precisionmass.com

- North Zone : sales.delhi@precisionmass.com
- East zone : sales.kolkata@precisionmass.com
- West zone : sales.mumbai@precisionmass.com
- South zone : sales.chennai@precisionmass.com