

# Industrial Pressure Transmitter

## Model PT11

### Features

- Compact design
- Rugged stainless steel construction
- High shock and vibration stability
- Reverse polarity and limit protection
- High accuracy, stability, and reliability
- Protection IP67 / IP65

### Ranges

0 ... 1.5 psi up to 0 ... 15,000 psi  
 0 ... 0.1 bar up to 0 ... 1000 bar & kg/cm<sup>2</sup>  
 0 ... 10 kPa up to 0 ... 100,000 kPa

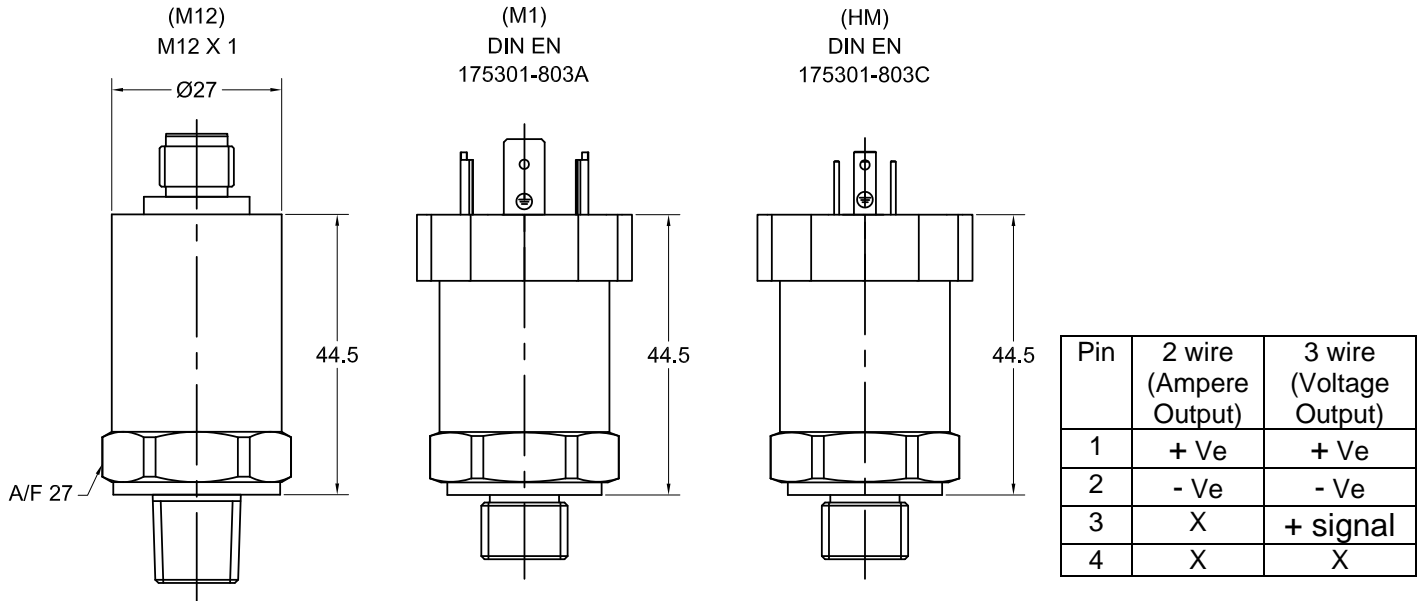
### Applications

Machine and construction apparatus  
 Hydraulic and Pneumatics systems  
 Refrigeration and air conditioning  
 Emissions monitoring  
 Power generation  
 Automation



Technical specifications	PT11		
Measuring principle	Piezo resistive sensors		
Range in mbar	100 160 250 400 600		
Range in bar (kg/cm <sup>2</sup> )	1 1.6 2.5 4 6 10 16 25 40 60 100 160 250 400 600 1000		
Overpressure limit	-1/0 -1/3 -1/5 -1/9 -1/15		
Pressure type	150% of FS, Max 1100 bar		
Process connection	Gauge, Vacuum, Compound and Absolute		
Material Wetted Part	G 1/4 male according DIN 3852 Part 11 Form E, 1/4" NPT (M), 1/2" NPT (M), 1/2" BSP (M)		
Process connection	Others on request		
Material Wetted Part	Stainless Steel 316L		
Process connection	Stainless Steel 316L		
Sensor	Stainless Steel 316L		
Housing	Stainless Steel 300 series		
Seals	FKM		
Power supply	11 ... 28 VDC	14 ... 28 VDC	5 VDC ± 10%
Output signal	4 ... 20 mA (2 wires)	0 ... 5 VDC (3 wires)   1 ... 5 VDC (3 wires)	0 ... 10 VDC (3 wires)   1 ... 9 VDC (3 wires)   0.5 ... 4.5 RM (3 wires)
Maximum Loop Resistance	(U – 12V)/0.02 Ω		
Insulation Voltage	100V, 100MΩ		
Electrical connection	4 PIN angle connector DIN EN 175301-803 A, DIN EN 175301-803 C (IP65) M12 Round Connector (IP67), Direct Cable Connection		
Accuracy	≤ 0,5 % FS, optional ≤ 0,25 % FS (Including Linearity, Hysteresis, Zero offset & Span offset), at Room Temperature		
Long term stability	≤ 0,2 % FS / year		
Permissible			
Operation temperature	-20 ... 80 °C		
Medium temperature	-40 ... 125 °C		
Storage temperature	-25 ... 85 °C		
Stability			
Vibration resistance	10gRMS, (20~2000) Hz		
Shock resistance	100g, 11ms		
Protection acc. EN 60 529/IEC 529	IP67 / IP65, depending on cable entry		
Weight in kg	~ 0.20		

## General dimensions in mm



## Order information

Output signal	Accuracy	Range	Engineering unit	Protection	Process connection	Electrical connection	Options
(42) 4/20 mA	(050) $\leq 0,50\%$	0/ 100	mbar	(=) IP65	(MG9) G ¼ A male Form E <sup>3)</sup>	(M1) 4 Pin Angle connector DIN EN 175301-803 A <sup>4)</sup>	(NH) SS wired tag
(05) 0/5 VDC	(025) $\leq 0,25\%$	0/ 160		(N) IP67 <sup>2)</sup>			
(15) 1/5 VDC	(Including Linearity, Hysteresis, Zero offset & Span offset)	0/ 250			(04) 1/2" NPT (M)	(HM) 4 Pin Angle connector DIN EN 175301-803 C <sup>4)</sup>	
(10) 0/10 VDC		-1/ 0	bar		(02) 1/4" NPT (M)		
(19) 1/9 VDC		-1/ 3	bara <sup>1)</sup>		(15) 1/2" BSP (M)	(M12) M12 Circular Connector	Certificate
(RM) 0.5/4.5 VDC ratiometric to 5 VDC supply		-1/ 5	(absolute)				(CD4) 4 Point Calibration Certi.
		-1/ 9					
		-1/ 15					
		0/ 1					
		0/ 1,6					
		0/ 2,5					
		0/ 4					
	0/ 6						
	0/ 10						
	0/ 16						
	0/ 25						
	0/ 40						
	0/ 60						
	0/ 100						
	0/ 160						
	0/ 250						
	0/ 400						
	0/ 600						
	0/ 1000						
others on request		others on request	Equivalent ranges in kPa, MPa, psi, kg/cm <sup>2</sup> and others units available		others on request		

1) Available for ranges 1 to 60 bar (15 to 1000 psi) 2) For electric Connection M12 only 3) Maximum range 400 bar 4) IP65 only

## How to order

Type	Output signal	Accuracy	Range	Engineering unit	Protection	Process connection	Electrical connection	Options	Certificate
PT11	42	025	0/10	BAR	=	MG9	M1	NH	CD4

## Precision Mass Products Pvt. Ltd.

Plot No.: 2306, G.I.D.C. Chhatral, Ta: Kalol, Dist.: Gandhinagar, Chhatral -382729, Gujarat, India.

Telephone: +91-2764 233681/82/83

Email: sales@precisionmass.com

Fax: +91-2764-233440

www.precisionmass.com

- North Zone : sales.delhi@precisionmass.com
- East zone : sales.kolkata@precisionmass.com
- West zone : sales.mumbai@precisionmass.com
- South zone : sales.chennai@precisionmass.com