

# Utility pressure gauges

## Model PG120

Nominal size: 40 mm (1.5"), 50 mm (2"), 63 mm (2.5")

ASME B40.100 / EN 837-1 / IS-3624

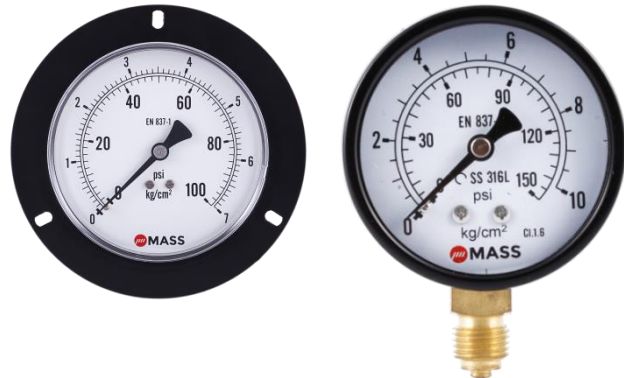
Accuracy: Grade B / 2.5% / 2.0%

### Features

- Rugged construction
- Protection IP54
- Overload protection 130 %
- Standard dial dual scale (psi, kg/cm<sup>2</sup>)
- Dry

### Ranges

-30 in. Hg ... 0 psi up to 0 ... 6,000 psi  
 -1 ... 0 bar up to 0 ... 420 bar & kg/cm<sup>2</sup>  
 -100 ... 0 kPa up to 0 ... 42,000 kPa

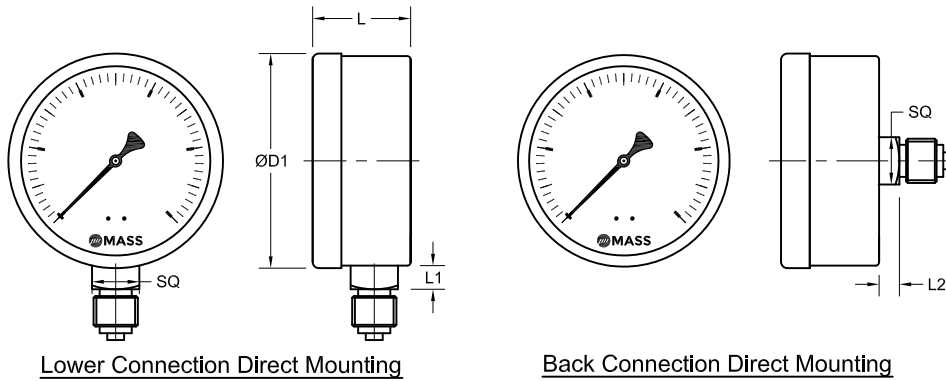


### Applications

Heating and ventilation  
 Machine and apparatus construction  
 Air filters and regulators  
 Valve positioners and compressors

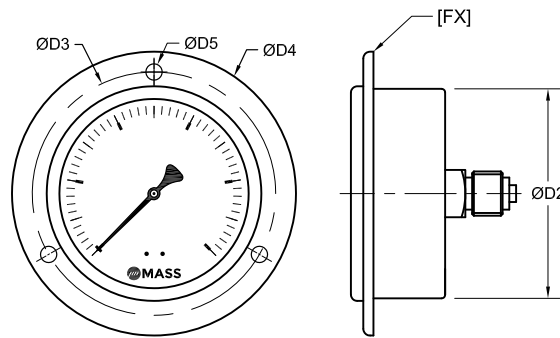
Technical specification	PG120		
	40	50	63
Dial size in mm	40	50	63
Construction	Open front with push-in ring		
Measuring principle	Bourdon tube		
Range in psi	15 20 30 50 60 100 150 200 250 300 400 500 600 800 1000 1500 2000 3000 4000 5000 6000		
"HG / psi	-30"/0 -30"/15 -30"/30 -30"/60 -30"/100 -30"/150 -30"/200		
Overpressure limit	130 % F.S., short time.		
Pressure type	Gauge, vacuum and compound		
Process connection	1/8" NPT / BSP (M)	1/8" 1/4" NPT / BSP (M)	
Connection location	Lower, back		
Material			
Pressure connection	Brass, optional stainless steel 316L		
Tube	Phosphor bronze, optional stainless steel 316L		
Case/ring	Black finished steel case, optional stainless steel case		
Window	Instrument glass, optional polycarbonate cap		
Dial	Aluminum, black markings on white background		
Pointer	Aluminum, black		
Movement	Brass, optional stainless steel		
Accuracy	Grade B (±3-2-3%) / Class 2.5 / Class 2.0 (2.0%)		
Permissible			
Ambient temperature	-40 ... 60 °C (-40 ... 140 °F)		
Medium temperature	Max. 65 °C (Max. 150 °F)		
Storage temperature	-40 ... 65 °C (-40 ... 150 °F)		
Effect	Max. 0,3 % / 10 K		
Protection according	IP54		
Mounting	Standard stem, optional panel, bracket, surface		
Weight dry in gram	60	90	105

## General dimensions in mm



Lower Connection Direct Mounting

Back Connection Direct Mounting



Back Connection Front Panel Mounting

DIAL SIZE	40	50	63
ØD1	42	52.5	63.5
ØD2	40	51	62
ØD3	-	60	75
ØD4	-	71	84
ØD5	-	3.6	3.6
L	25	27	28
L1	7	7	7
L2	5	6	6
SQ.	11	14	14

## Order information

Size	System Material	Execution	Process connection	Connection orientation	Range	Engineering units	Case Material	Options
(40) 40mm	(B) Socket brass, tube bronze	(D) dry IP54	(02) 1/4" NPT (M) <sup>2)</sup>	(L) Lower	-30 <sup>2)</sup> / 0 <sup>2)</sup>	(psi & Bar)	(=) Standard Steel	(SD) Special Dial
(50) 50mm	(S) Socket and tube SS316L <sup>1)</sup>		(01) 1/8" NPT (M)	(C) Centre back	-30 <sup>2)</sup> / 15 <sup>2)</sup>	Dual scale	case	(ON) Neutral, without logo
(63) 63mm			(13) 1/4" BSP (M) <sup>2)</sup>		-30 <sup>2)</sup> / 30 <sup>2)</sup>	"Hg / psi & mmHg /	black	(UF) U-clamp
			(12) 1/8" BSP (M)		-30 <sup>2)</sup> / 60 <sup>2)</sup>	kg/cm <sup>2)</sup>	finish	(FX) Front panel <sup>2)</sup>
					-30 <sup>2)</sup> / 100 <sup>2)</sup>		(YX) Stainless steel 304	(FW) Surface plate <sup>2)</sup>
					-30 <sup>2)</sup> / 150 <sup>2)</sup>	(psi & kg/cm <sup>2)</sup>	case <sup>4)</sup>	(PC) Polycarbonate cap
					0/ 15 <sup>2)</sup>	Dual scale		(CR) Crimp ring
					0/ 20 <sup>2)</sup>	psi & kg/cm <sup>2)</sup>		
					0/ 30			
					0/ 50			
					0/ 60			
					0/ 100			
					0/ 150 <sup>2)</sup>			
					0/ 200 <sup>2)</sup>			
					0/ 250 <sup>2)</sup>			
					0/ 300 <sup>2)</sup>			
					0/ 400 <sup>2)</sup>			
					0/ 500 <sup>2)</sup>			
					0/ 600 <sup>2)</sup>			
					0/ 800 <sup>2)</sup>			
					0/ 1000 <sup>2)</sup>			
					0/ 1500 <sup>3)</sup>			
					0/ 2000 <sup>3)</sup>			
					0/ 3000 <sup>3)</sup>			
					0/ 4000 <sup>3)</sup>			
					0/ 5000 <sup>3)</sup>			
					0/ 6000 <sup>3)</sup>			
						Equivalent ranges in kPa, MPa, psi, bar and others units available		
								<b>Certificate</b>
								(CD4) 4 Point Calibration Certi.

1) Only with case material (YX) 2) Not for dial size 40mm 3) Not for dial size 40mm, 50mm 4) Only with system material (S)

## How to order

Size	Type	System material	Execution	Process connection	Connection orientation	Range	Engineering unit	Case material	Options	Certificate
63	PG120	B	D	02	L	0/60	PSI & KG/CM2	=	CR	CD4

## Precision Mass Products Pvt. Ltd.

Plot No.: 2306, G.I.D.C. Chhatral, Ta: Kalol, Dist.: Gandhinagar,  
Chhatral -382729, Gujarat, India.

Telephone: +91-2764 233681/82/83

Email: sales@precisionmass.com

Fax: +91-2764-233440

www.precisionmass.com

- North Zone : sales.delhi@precisionmass.com
- East zone : sales.kolkata@precisionmass.com
- West zone : sales.mumbai@precisionmass.com
- South zone : sales.chennai@precisionmass.com