

Pulsation dampener / Snubber

Model PD1

ASME B40.100

Features

- Protects pressure instrument from line surges
- Reduce pulsation of process fluid
- Stainless steel body optional Monel
- Improve reading and accuracy of instruments
- Horizontal and vertical installation

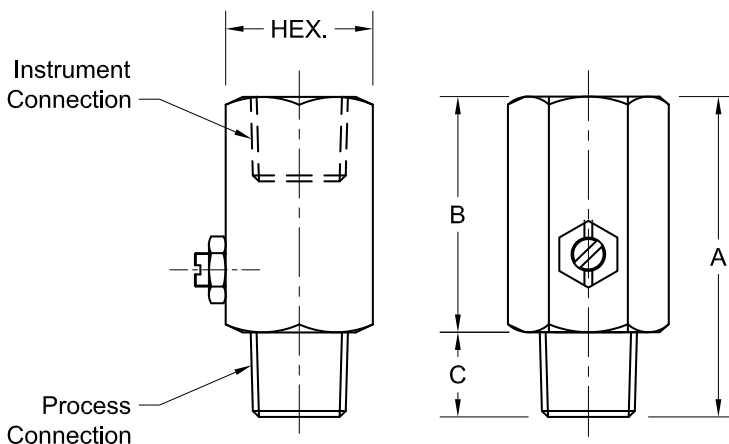
Applications

Reciprocating pumps and compressor
 Hydraulic Machines and fluid power system
 Process plant, Power plant
 Chemical and Petrochemical Industries
 Off shore and on shore refineries
 Clean air, gas and non-crystallizing media

Permissible Pressure rating:
 400 kg/cm² @ 100°C (212°F)



General dimensions in mm



Connection	A	B	C	HEX. A/F
1/4"(MX F)	63	48	15	25
3/8"(MX F)	63	47	16	25
1/2"(MX F)	63	43	20	27

Order information

Type	Connection	Form ¹⁾	Wetted Parts	Options	Certificate
PD1	(02)1/4" NPT (04)1/2" NPT (13)1/4" BSP (14)3/8" BSP (15)1/2" BSP (16)M20x1.5 Others on request	(M/F) Male X female	(C) SS 304 (S) SS 316L (M) Monel (H) Hastelloy C	(NH) Stamped tag (OF) Oil free (10K) Pressure rating 10000PSI	(CD3) 3.1 Material Certi.

1) For Form, First character indicates Process connection and Second character indicates Instrument connection

How to order

Type	Connection	Form	Wetted Parts	Options	Certificate
PD1	04	M/F	S	NH	CD3

Precision Mass Products Pvt. Ltd.

Plot No.: 2306, G.I.D.C. Chhatral, Ta: Kalol, Dist.: Gandhinagar,
 Chhatral -382729, Gujarat, India.
 Telephone: +91-2764 233681/82/83 Fax: +91-2764-233440
 Email: sales@precisionmass.com www.precisionmass.com
 All specifications are subject to change without notice.

• North Zone : sales.delhi@precisionmass.com
 • East zone : sales.kolkata@precisionmass.com
 • West zone : sales.mumbai@precisionmass.com
 • South zone : sales.chennai@precisionmass.com
 IN.PD1 Rev. F 10/02/2026