

# Needle valve

## Model NV1

### Features

- As per industrial standards
- Provide complete isolation or throttling of the media.
- Perfect alignment for positive air tight shut-off
- Optional vent plug for draining purpose
- Designed for mounting below Pressure measuring instruments
- Stainless steel construction and optional exotic material

### Applications

Isolation of instrument from service  
 High pressure lines  
 Liquid and vapour service  
 Process industry, Power plant  
 Chemical and Petrochemical Industries  
 Off shore and on shore processes  
 Oil and gas refineries



Technical specification	NV1
Body	Stainless steel 316L, optional Monel & Hastelloy C276
Stem	Stainless steel 316L, optional Monel & Hastelloy C276
Valve assembly	Stainless steel 316L, optional Monel & Hastelloy C276
Bonnet	Stainless steel 316L, optional Monel & Hastelloy C276
Tip	Stainless steel 316L, optional Monel & Hastelloy C276
Connections	1/4" 3/8" 1/2" 3/4" BSP / NPT, others on request
Packing	PTFE up to 240 °C (462 °F) optional Grafoil up to 538 °C (1000 °F)
T-handle	Stainless steel 304
Permissible pressure rating	6000 PSI @ 100°C (212 °F)
Drain Port(Optional)	M8 (F)
Vent plug	Stainless steel 316L optional Monel & Hastelloy C276

### Order information

Type	Connection	Form <sup>1)</sup>	Wetted Parts	Options
NV1	(02) 1/4" NPT	(M/F) Male X female	(S) SS316L	(NH) Stamped tag
	(03) 3/8" NPT	(F/F) Female X female	(M) Monel	(VP) Vent Plug
	(04) 1/2" NPT	(M/M) Male X Male	(H) Hastelloy C276	(OF) Oil free
	(13) 1/4" BSP			<b>Certificate</b>
	(14) 3/8" BSP			(CD3) 3.1 Material Certi.
	(15) 1/2" BSP			(CD5) NACE Certificate
	(16) M20x1.5			
Others on request				

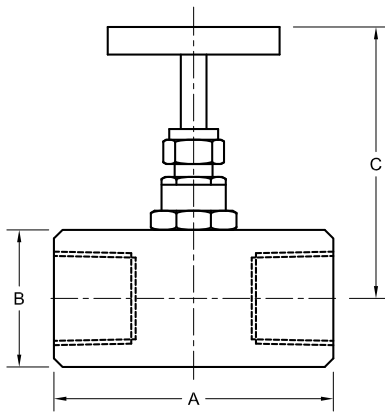
1) For Form, First character indicates Process connection and Second character indicates Instrument connection

### How to order

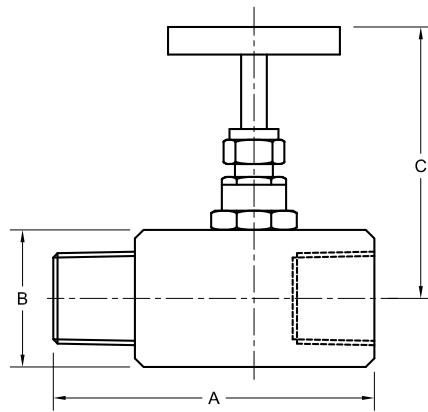
Type	Connection	Form	Wetted Parts	Options	Certificate
NV1	04	M/F	S	NH	CD3

All specifications are subject to change without notice.

### General dimensions in mm



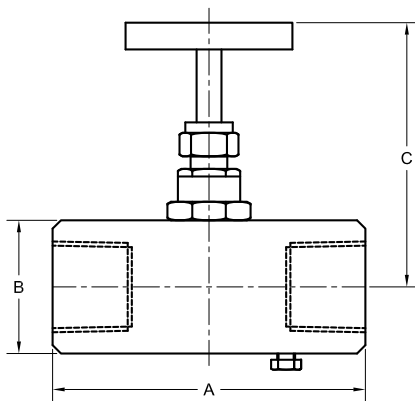
TYPE- FF



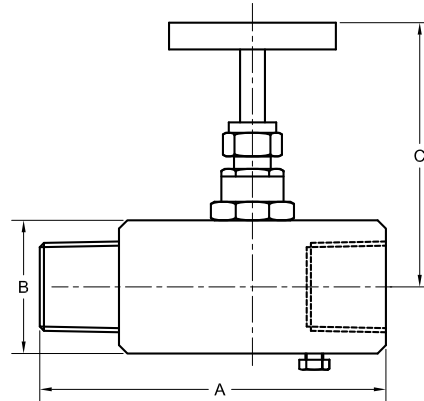
TYPE- MF

SIZE	TYPE	LENGTH A	WIDTH B	HEIGHT MAX C
1/4"	F X F	50	25	65
	M X F	50		
3/8"	F X F	55	25	65
	M X F	55		
1/2"	F X F	65	28	90
	M X F	65		

### Optional Vent or Drain design



TYPE- FF



TYPE- MF

SIZE	TYPE	LENGTH A	WIDTH B	HEIGHT MAX C
1/4"	F X F	50	25	65
	M X F	50		
3/8"	F X F	55	25	65
	M X F	55		
1/2"	F X F	75	28	90
	M X F	75		

Pressure Rating: 6000psi @ 100°F (212 °F)  
 Dimension shall be different for option 10K

### Precision Mass Products Pvt. Ltd.

Plot No.: 2306, G.I.D.C. Chhatral, Ta: Kalol, Dist.: Gandhinagar,  
 Chhatral -382729, Gujarat, India.

Telephone: +91-2764 233681/82/83

Email: sales@precisionmass.com

Fax: +91-2764-233440

www.precisionmass.com

- North Zone : sales.delhi@precisionmass.com
- East zone : sales.kolkata@precisionmass.com
- West zone : sales.mumbai@precisionmass.com
- South zone : sales.chennai@precisionmass.com