

# Precision Digital Pressure Gauge

## Model MG401

Nominal size: 100 mm (4")  
Accuracy: Class 0.1 (0.1%)

### Features

- 5 & 6 Digit Large LCD Display
- Bright Backlight
- 14 Standard Engineering Units
- Protection IP65
- SS316L Wetted Parts & Casing

### Ranges

100 mbar to 1000 bar in Gauge, Vacuum & Compound

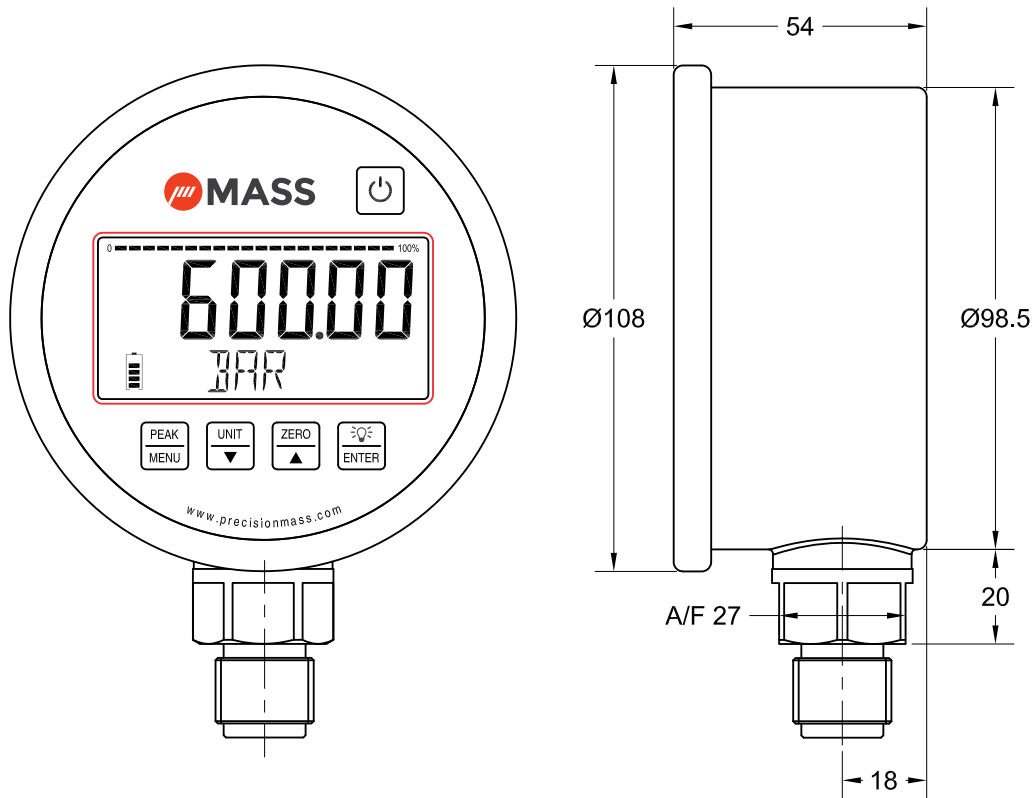
### Applications

Calibration laboratories  
Test benches  
Process Automation

Technical specification	MG401
Nominal size	100 mm
Measuring Principle	Piezo resistive Sensors
Accuracy	0.1 % F.S. (Accuracy Including Linearity, Hysteresis, Repeatability errors)
Range in bar mbar	-1/0 -1/2 -1/7 -1/10 -1/30 0/70 0/100 0/350 0/700 0/1000 0/100 0/250 0/600
Overpressure limit	130% of scale, Max 1100 bar
Units	bar, mbar, kg/cm <sup>2</sup> , psi, Pa, kPa, MPa, mmH <sub>2</sub> O, mH <sub>2</sub> O, inH <sub>2</sub> O (60F), ftH <sub>2</sub> O, mmHg, cmHg, inHg (60F)
Connection location	Lower
Process Connection	1/2 BSP(M), Others on request.
Display Type Character Height Backlight	LCD, 5 Digit 99999 counts and 6 Digit 999999 counts 0.67" (17 mm) On/Off, Automatic Off function (Never, 10s, 30s, 1 min, 5 min)
Material Case Sensor and Socket	SS 316L SS 316L
Power Battery Life	3 AA Alkaline Battery 2000 Hrs. at standard use
Features	Zero Clear Auto Off Min/Max Indicator Bar Graph (20 Segment) Battery Indication (5 Segment) Update rate (50, 100, 200, 500, 1000 ms) Dampening (None, Low, Medium, High) Tare (User definable) Digit Selection (5/6) Process pressure % indicator (User definable) Password Protection for calibration and special functions (user selectable)
Permissible Ambient temperature Medium temperature Storage temperature Compensated temperature	0 ... 70 °C -10 ... 50 °C -30 ... 80 °C +10 ... 50 °C
Certification	Manufacturer calibration certificate, optional NABL Certificate
Weight	430 grams
Protection	IP65 as per IEC 60529
Accessories	Adapters (Regular/Swivel)

All specifications are subject to change without notice.

### General dimensions in mm



### Order information

Size	Type	System Material	Process Connection	Connection orientation	Range	Output	Options
(100) 100mm	MG401	(S) SS316L	(15) 1/2" BSP (M)	(L) Lower	<b>MBAR</b> 0/ 100 0/ 250 0/ 600  <b>BAR</b> -1/ 0 -1/ 2 -1/ 7 -1/ 10 -1/ 30 0/ 70 0/ 100 0/ 350 0/ 700 0/ 1000	(=) None	(TU) Throttle Plug  <b>Certificate</b>  (CD4N) ISO17025 (NABL) Calibration Certificate
			Others on request		Others on request		

### How to order

Size	Type	System material	Process connection	Connection orientation	Range	Engineering unit	Output	Options	Certificate
100	MG401	S	15	L	0/100	BAR	=	TU	CD4N

### Precision Mass Products Pvt. Ltd.

Plot No.: 2306, G.I.D.C. Chhatral, Ta: Kalol, Dist.: Gandhinagar, Chhatral -382729, Gujarat, India.

Telephone: +91-2764 233681

Email: sales@precisionmass.com

+91-9377407922

www.precisionmass.com

- North Zone : sales.delhi@precisionmass.com
- East zone : sales.kolkata@precisionmass.com
- West zone : sales.mumbai@precisionmass.com
- South zone : sales.chennai@precisionmass.com