

Gauge valves / Gauge cock

Model GV1/GV2/GV3

Features

- As per industrial standards
- Stainless steel body
- Provision of optional vent hole for drain
- Provide complete isolation of the media.
- Perfect alignment for positive air tight shut-off
- Designed for mounting below test pressure instrument

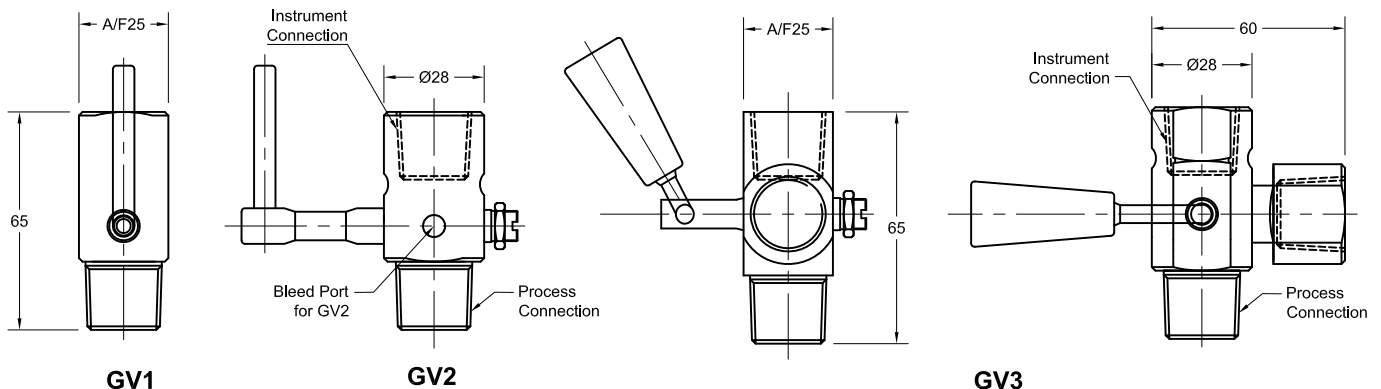
Applications

Isolation of instrument from service
 Liquid and vapor service
 Process industry, Power plant
 Chemical and Petrochemical Industries
 Off shore and on shore processes
 Oil and gas refineries



Permissible Pressure rating:
 70 kg/cm² @ 100°C

General dimensions in mm



Order information

Type	Connection	Form ¹⁾	Wetted Parts	Options
GV1 Gauge isolation valve	(04) 1/2" NPT	(M/F) Male X female	(C) SS 304	(NH) Stamped tag
GV2 Two way gauge cock	(14) 3/8" BSP	(F/F) Female X female	(S) SS 316L	(OF) Oil free
GV3 Three way gauge cock	(15) 1/2" BSP			
	Others on request			Certificate
				(CD3) Material certificate for wetted parts

1) For Form, First character indicates Process connection and Second character indicates Instrument connection

How to order

Type	Connection	Form	Wetted Parts	Options	Certificate
GV1	04	M/F	S	NH	CD3

Precision Mass Products Pvt. Ltd.

Plot No.: 2306, G.I.D.C. Chhatral, Ta: Kalol, Dist.: Gandhinagar,
 Chhatral -382729, Gujarat, India.
 Telephone: +91-2764 233681/82/83 Fax: +91-2764-233440
 Email: sales@precisionmass.com www.precisionmass.com
 All specifications are subject to change without notice.

• North Zone : sales.delhi@precisionmass.com
 • East zone : sales.kolkata@precisionmass.com
 • West zone : sales.mumbai@precisionmass.com
 • South zone : sales.chennai@precisionmass.com
 IN. GV1/GV2/GV3 Rev. D 11/02/2026