

Liquid filled gauges

Model GFB

Nominal size: 63 mm (2.5"), 100 mm (4")

ASME B40.100 / EN 837-1 / IS-3624

Accuracy: Class 1.6 (1.6%)

Features

- Twin o-ring design for leak tight enclosure
- Protection IP66 / 68
- Usable to full scale
- Overload protection 130 %
- Measuring tubes SS316L / PB
- Minimized pulsation, Vibration and pointer fluttering due to dampening effect

Ranges

-30 in. Hg ... 0 psi up to 0 ... 6,000 psi
 -1 ... 0 bar up to 0 ... 400 bar & kg/cm²
 -100 ... 0 kPa up to 0 ... 4,000 kPa

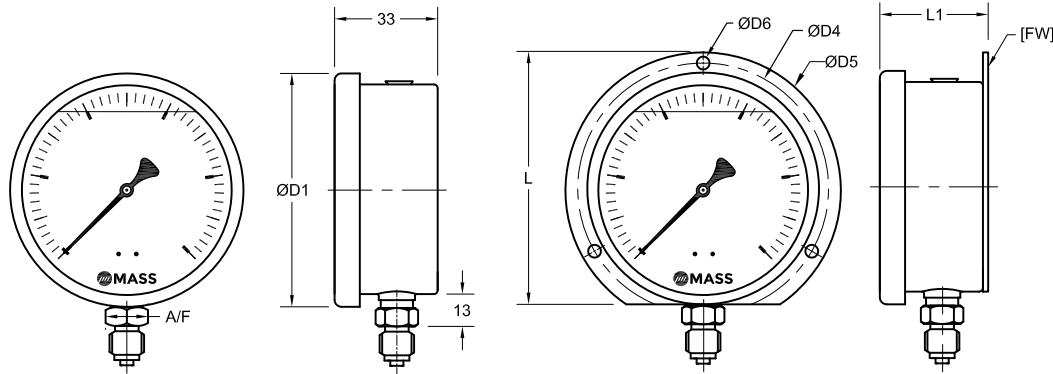


Applications

Power packs
 Hydraulic machinery
 Pumps
 Other vibration applications

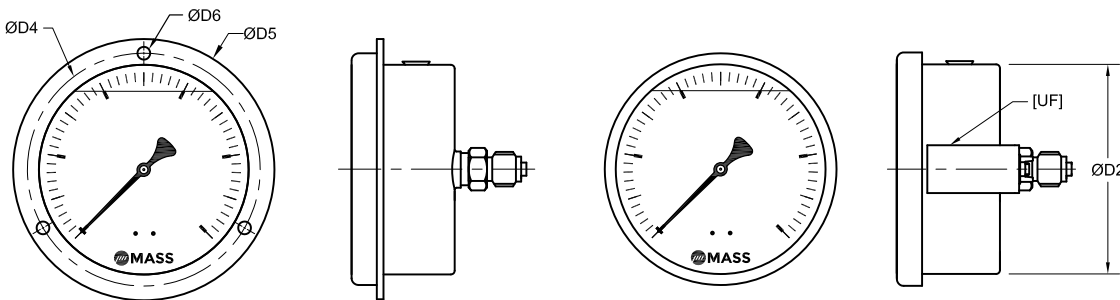
Technical specification	GFB	
Dial size in mm	63	100
Construction	Open front cylindrical case with crimp type bezel ring	
Measuring principle	Bourdon tube	
Range in kg/cm ² (or bar)	1 1.6 2.5 4 6 10 16 25 40 60 100 160 250 400 -1/0 -1/0.6 -1/1.5 -1/3 -1/5 -1/9 -1/15 -1/24	
Overpressure limit	130 % F.S., short time.	
Pressure type	Gauge, vacuum and compound	
Process connection	1/8" 1/4" BSP / NPT (M)	1/4" 3/8" 1/2" BSP / NPT (M)
Connection location	Lower, back	
Material		
Pressure connection	Brass	
Tube	SS 316L/ Phosphorous Bronze below 6 kg/cm ² , Brass	
Case/bayonet ring	Stainless steel 304	
Window	Acrylic glass	
Dial	Aluminum, black markings on white background	
Pointer	Plastic, black	Aluminum, black
Movement	Brass	
Accuracy	Class 1.6 (1.6% F.S)	
Permissible		
Ambient temperature	-40 ... 60 °C (-40 ... 140 °F)	
Medium temperature	Max. 100 °C (212 °F)	
Storage temperature	-40 ... 65 °C (-40 ... 150 °F)	
Effect	Max. 0,3 % / 10 K	
Protection according	IP66/68	
Filling liquids	Glycerin, silicone, others on request	
Mounting	Standard stem, optional panel, bracket, surface or others on request	
Weight with liquid filling in kg	0.22	0.48

General dimensions in mm



Lower Connection Direct Mounting

Lower Connection Surface Mounting



Back Connection Front Panel Mounting

Back Connection U-Clamp Mounting

Dial Size	63	100
ØD1	67.7	108
ØD2	61.6	98.6
ØD4	75	118
ØD5	85	132
ØD6	3.6	6
L	78	122
L1	36	37

Thread Size	A/F
1/8"	14
1/4"	14
3/8"	17
1/2"	22

Order information

Size	Type	System material	Execution	Process connection	Connection orientation	Range	Engineering units	Filling material	Options
(63) 63 mm	GFB	(B) Socket Brass, Tube 316L ²⁾	(L) IP 66/68	(04) 1/2" NPT (M) ¹⁾	(L) Lower (C) Center back	-1/ 0 ²⁾	kg/cm ² (bar)	(=) No filling (GV) Silicone (GR) Glycerin	(NH) SS wired tag (SD) Special Dial (CS) Dual Scale (FX) Front panel (FW) Surface plate (UF) U-clamp
(100) 100 mm				(03) 3/8" NPT (M) ¹⁾		-1/ 0.6 ²⁾			
(02) 1/4" NPT (M)				-1/ 1.5 ²⁾					
(01) 1/8" NPT (M) ³⁾				-1/ 3 ²⁾					
(15) 1/2" BSP(M) ¹⁾				-1/ 5 ²⁾					
(14) 3/8" BSP(M) ¹⁾				-1/ 9					
(13) 1/4" BSP(M)				-1/ 15					
(12) 1/8" BSP(M) ³⁾				0/ 1 ²⁾					
(16) M20x1.5(M) ¹⁾				0/ 1.6 ²⁾					
				0/ 2.5 ²⁾					
				0/ 4 ²⁾					
				0/ 6 ²⁾					
				0/ 10					
				0/ 16					
				0/ 25					
				0/ 40					
	0/ 60								
	0/ 100								
	0/ 160								
	0/ 250								
	0/ 400								
	Equivalent ranges in kPa, MPa, psi, bar and others units available								
Others on request									Certificate
									(CD4) 4 Point Calibration Certi.

1) Not for 63mm 2) Tube material Phosphorous Bronze for range below 6 kg/cm² 3) For 63 mm only

How to order

Size	Type	System material	Execution	Process connection	Connection orientation	Range	Engineering unit	Filling/case material	Options	Certificate
63	GFB	B	L	02	L	0/16	BAR	=	NH	CD4

Precision Mass Products Pvt. Ltd.

Plot No.: 2306, G.I.D.C. Chhatral, Ta: Kalol, Dist.: Gandhinagar, Chhatral -382729, Gujarat, India.

Telephone: +91-2764 233681/82/83

Email: sales@precisionmass.com

Fax: +91-2764-233440

www.precisionmass.com

- North Zone : sales.delhi@precisionmass.com
- East zone : sales.kolkata@precisionmass.com
- West zone : sales.mumbai@precisionmass.com
- South zone : sales.chennai@precisionmass.com