

Compact high pressure seal

Model DS54

ASME B40.100

Features

- All welded metal construction
- No gaskets or bolts
- All material stainless steel

Ranges

1500 psi up to 6000 psi
 100 kg/cm² up to 400 bar & kg/cm²
 10000 kPa up to 40000 kPa

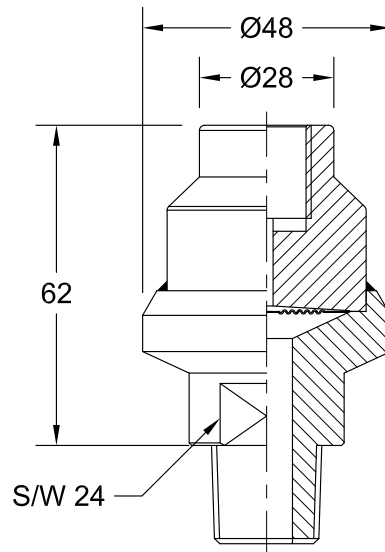
Applications

Chemical and petrochemical industry
 Machine and apparatus construction
 Power station



Technical Specification	DS54
Process connection size (ISO 228-1 / ASME B1.20.1)	1/4" 3/8" 1/2" 3/4" BSP (M) / NPT (M) , M20x1.5(M), others on request
Pressure range in bar (min max)	100 400
Maximum pressure Standard housing [psi / bar]	6000 / 400
Material Housing Diaphragm (metal type)	Stainless steel 316L, Optional Hastelloy C276 Stainless steel 316L Optional Hastelloy C276
Accuracy	Additional 0,5 % to the specified tolerance of the mounted instrument
Filling liquids (temperature range)	Glycerin (0/400 °F, -18/204 °C), Silicone (-50/400 °F, -45/205 °C), Halocarbon (-50/320 °F, -45/160 °C), Syltherm 800 (-40/750 °F, -40/400 °C), Vegetable oil (32/248 °F, 0/120 °C), Food grade silicone (5/570 °F, -15/300 °C), Others on request, also depending on selected material and configuration.
Mounting	Direct
Weight dry in grams	440
Accessories, options	Pressure gauges, transducer

General dimensions in mm



Order information

Process connection	Type	Diaphragm	Housing material	Instrument connection	Filling fluid	Length of Capillary
(05) 3/4" NPT(M)	DS54	(S) SS316L	(S) SS316L	(14T) 3/8" BSP(F)	(CG) Glycerin (direct mounted, -18/204 °C)	(CA) Stainless steel armored capillary ¹⁾
(04) 1/2" NPT(M)		(H) Hastelloy C276	(H) Hastelloy C276		(CK) Silicone (direct mounted or with capillary, -45/205 °C)	(CP) Stainless steel armored capillary with PVC protection ¹⁾
(03) 3/8" NPT(M)					(GZ) Vegetable oil (direct mounted, 0/120 °C)	Option
(02) 1/4" NPT(M)					(CF) Halocarbon (direct mounted or with capillary, -45/160 °C)	(NH) SS wired tag
(16) M20x1.5(M)					(HA) Syltherm 800 (direct mounted or with capillary, -40/400 °C)	(OF) Oil free (only filled with halocarbon)
(17) 3/4" BSP(M)					(CZ) Food grade silicone (direct mounted or with capillary, -15/300 °C)	(PU) Flushing connection 1/4" NPT (F)
(15) 1/2" BSP(M)						Certificate
(14) 3/8" BSP(M)						(CD3) 3.1 Material Certi.
(13) 1/4" BSP(M)						(CD5) NACE Certificate

1) Max length 30m, specify length in meter EG. CP1.0 = CP with 1m

How to order

Process connection	Type	Diaphragm	Housing material	Instrument connection	Filling fluid	Length of Capillary	Options	Certificate
02	DS54	S	S	14T	CK	CA1.0	NH	CD3

Precision Mass Products Pvt. Ltd.

Plot No.: 2306, G.I.D.C. Chhatral, Ta: Kalol, Dist.: Gandhinagar,
Chhatral -382729, Gujarat, India.

Telephone: +91-2764 233681/82/83

Email: sales@precisionmass.com

Fax: +91-2764-233440

www.precisionmass.com

- North Zone : sales.delhi@precisionmass.com
- East zone : sales.kolkata@precisionmass.com
- West zone : sales.mumbai@precisionmass.com
- South zone : sales.chennai@precisionmass.com