

# Diaphragm seals threaded types

## Model DS50

ASME B40.100

### Features

- Metal diaphragms with all welded construction
- Variety of wetted parts materials
- Available flushing connection
- Compact size for limited space

### Ranges

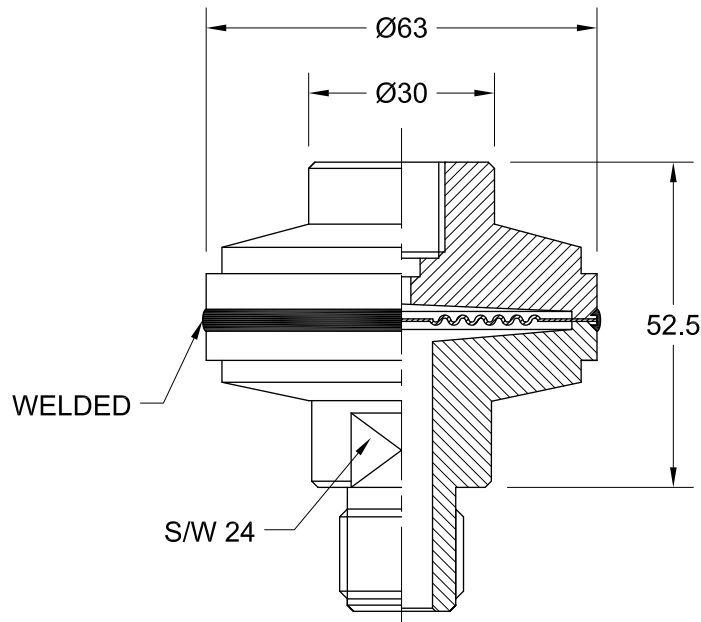
15 psi up to 3500 psi  
 1 kg/cm<sup>2</sup> up to 250 bar & kg/cm<sup>2</sup>  
 100 kPa up to 25000 kPa

### Applications

Chemical and petrochemical industry  
 Machine and apparatus construction  
 Offshore installations  
 Pulp and paper industry  
 Waste water treatment



Technical specification	DS50
Process connection size (ISO 228-1 / ASME B1.20.1)	1/4" 3/8" 1/2" BSP / NPT, M20x1.5, others on request
Construction	Diaphragm, top and bottom housing welded
Fill port	At the side with stainless steel ball and set screw
Flushing connection	Optional flushing
Flushing connection size	1/4" NPT female
Maximum pressure	
Standard housing [psi / bar]	1500 / 100
With high pressure ring [psi / bar]	3500 / 250
Measuring principle	Diaphragm welded to top and bottom housing
Instrument connections [female]	3/8" BSP, 1/2" NPT, others on request
Material	
Housing	Stainless steel 316L, Optional Hastelloy C276, Monel 400
Diaphragm (metal type)	Stainless steel 316L, Optional Hastelloy C276, Monel 400
Accuracy	Additional 0,5 % to the specified tolerance of the mounted instrument
Filling liquids (temperature range)	Glycerin (0/400 °F, -18/204 °C), Silicone (-50/400 °F, -45/205 °C), Halocarbon (-50/320 °F, -45/160 °C), Syltherm 800 (-40/750 °F, -40/400 °C), Vegetable oil (32/248 °F, 0/120 °C), Food grade silicone (5/570 °F, -15/300 °C), Others on request, also depending on selected material and configuration.
Mounting	Direct or with capillary
Weight in kg	0.6
Accessories, options	NACE, pressure gauges, pressure switches, transducer, capillaries

**General dimensions in mm**

**Order information**

Process connection	Type	Diaphragm	Housing material	Instrument connection	Filling fluid	Length of Capillary
(06) 1" NPT(M)	DS50	(S) SS316L	(S) SS316L	(14T) 3/8" BSP (F)	(CG) Glycerin (direct mounted, -18/204 °C)	(CA) Stainless steel armored capillary <sup>1)</sup>
(05) 3/4" NPT(M)		(H) Hastelloy C276	(H) Hastelloy C276	(04T) 1/2" NPT (F)	(CK) Silicone (direct mounted or with capillary, -45/205 °C)	(CP) Stainless steel armored capillary with PVC protection <sup>1)</sup>
(04) 1/2" NPT(M)		(P) Monel 400 <sup>2)</sup>	(M) Monel 400 <sup>3)</sup>		(CF) Halocarbon (direct mounted or with capillary, -45/160 °C)	<b>Options</b>
(03) 3/8" NPT(M)					(HA) Syltherm 800 (direct mounted or with capillary, -40/400 °C)	(NH) SS wired tag
(02) 1/4" NPT(M)					(GZ) Vegetable oil (direct mounted or with capillary, 0/120 °C)	(HP) High Pressure Ring
(18) 1" BSP(M)					(CZ) Food grade silicone (direct mounted or with capillary, -15/300 °C)	(OF) Oil free (only filled with halocarbon)
(17) 3/4" BSP(M)					others on request	(PU) Flushing connection 1/4" NPT (F)
(15) 1/2" BSP(M)						<b>Certificate</b>
(14) 3/8" BSP(M)						(CD3) 3.1 Material Certi.
(13) 1/4" BSP(M)						(CD5) NACE Certificate
(16) M20x1.5(M)						
(06T) 1" NPT(F)						
(05T) 3/4" NPT(F)						
(04T) 1/2" NPT(F)						
(02T) 1/4" NPT(F)						

1) Max length 30m, specify length in meter EG. CP1.0 = CP with 1m    2) Only for Housing Material (M) Monel 400    3) Only for Diaphragm material (P) Monel 400

**How to order**

Process connection	Type	Diaphragm	Housing material	Instrument connection	Filling fluid	Length of Capillary	Options	Certificate
04	DS50	S	S	14T	CK	CA1.0	NH	CD3

**Precision Mass Products Pvt. Ltd.**

Plot No.: 2306, G.I.D.C. Chhatral, Ta: Kalol, Dist.: Gandhinagar, Chhatral -382729, Gujarat, India.

Telephone: +91-2764 233681/82/83

Email: sales@precisionmass.com

Fax: +91-2764-233440

www.precisionmass.com

- North Zone : sales.delhi@precisionmass.com
- East zone : sales.kolkata@precisionmass.com
- West zone : sales.mumbai@precisionmass.com
- South zone : sales.chennai@precisionmass.com