

# High Displacement Diaphragm Seal

## Model DS25

ASME B40.100

### Features

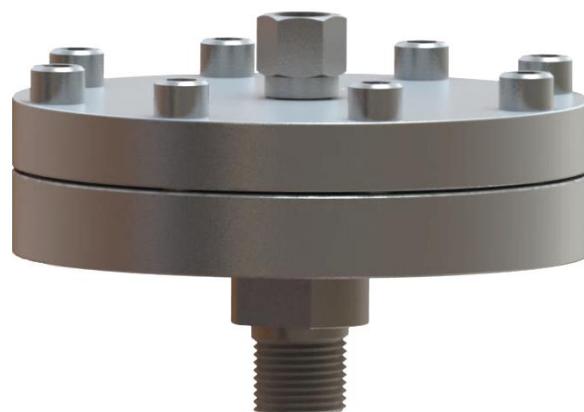
- High displacement of diaphragm
- Suitable for instruments with large displacement actuators
- Metal diaphragms with PTFE gasket
- Interchangeable components
- Removable top and bottom housing
- Variety of wetted parts materials

### Ranges

15 psi up to 1000 psi  
 1 kg/cm<sup>2</sup> up to 100 bar & kg/cm<sup>2</sup>  
 100 kPa up to 10000 kPa

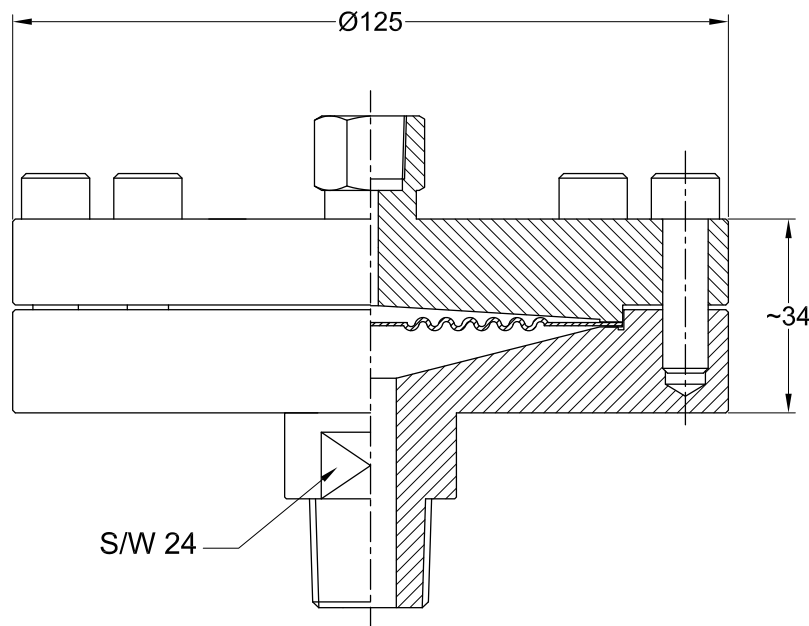
### Applications

Chemical and petrochemical industry  
 Machine and apparatus construction  
 Offshore installations  
 Pulp and paper industry  
 Waste water treatment



Technical specification	DS25
Process connection size (ISO 228-1 / ASME B1.20.1)	1/4" 3/8" 1/2" BSP / NPT, M20x1.5, others on request
Construction	Bolted top and bottom housing, removable for easy maintenance
Fill port	At the side with stainless steel ball and set screw
Flushing connection	Optional flushing
Flushing connection size	1/4" 1/2" NPT female
Maximum pressure	
Metal bottom housing [psi / bar]	1500 / 100
Other bottom housing [psi / bar]	150 / 10
Measuring principle	Diaphragm welded to top housing
Instrument connections [female]	3/8" BSP, 1/2" NPT, others on request
Material (wetted parts)	
Bottom housing	SS 316L, SS321, Hastelloy C276, Inconel 625, 316L with PTFE protection
Diaphragm (metal type)	SS 316L, SS321, Hastelloy C276, Inconel 625, Tantalum
Diaphragm (other types)	Stainless steel 316L with PFA protection
Material (non wetted parts)	
Top housing	Stainless steel 304, 316L
Bolts and nuts	Stainless steel 300 series
Accuracy	Additional 0,5 % to the specified tolerance of the mounted instrument
Filling liquids (temperature range)	Glycerin (0/400 °F, -18/204 °C), Silicone (-50/400 °F, -45/205 °C), Halocarbon (-50/320 °F, -45/160 °C), Syltherm 800 (-40/750 °F, -40/400 °C), Food grade silicone (5/570 °F, -15/300 °C), Others on request, also depending on selected material and configuration.
Mounting	Direct or with capillary
Accessories, options	NACE, Diff. pressure gauges, Diff. pressure switches, transducers, capillaries

## General dimensions in mm



## Order information

Process connection	Type	Diaphragm	Bottom housing material	Instrument connection	Filling fluid	Length of Capillary
(06) 1" NPT(M)	DS25	(S) SS316L	(S) SS 316L	(14T) 3/8" BSP(F)	(CG) Glycerin (direct mounted, -18/204 °C)	(CA) Stainless steel armored capillary <sup>2)</sup>
(05) 3/4" NPT(M)		(321) SS321	(321) SS 321	(04T) 1/2" NPT(F)	(CK) Silicone (direct mounted or with capillary, -45/205 °C)	(CP) Stainless steel armored capillary with PVC protection <sup>2)</sup>
(04) 1/2" NPT(M)		(SJ) SS316L PFA coated <sup>1)</sup>	(H) Hastelloy C276			Options
(03) 3/8" NPT(M)		(H) Hastelloy C276	(I625) Inconel 625			
(02) 1/4" NPT(M)		(I625) Inconel 625	(SP) SS316L PTFE lined <sup>1)</sup>			
(18) 1" BSP(M)		(U) Tantalum		(NH) SS wired tag		
(17) 3/4" BSP(M)				(OF) Oil free (only filled with halocarbon)		
(15) 1/2" BSP(M)				(YT) SS316L top housing		
(14) 3/8" BSP(M)				(PU) Flushing connection 1/4" NPT (F)		
(13) 1/4" BSP(M)				(MLP) Mounted on LP		
(16) M20x1.5(M)				(MHP) Mounted on HP		
(06T) 1" NPT(F)				(MOT) Mounted on Transmitter		
(05T) 3/4" NPT(F)						
(04T) 1/2" NPT(F)						
(02T) 1/4" NPT(F)						
others on request						Certificate
						(CD3) 3.1 Material Certi.

1) Restricted to maximum temperature 200 °C 2) Max length 30m, specify length in meter EG. CP1.0 = CP with 1m

## How to order

Process connection	Type	Diaphragm	Bottom housing material	Instrument connection	Filling fluid	Length of Capillary	Options	Certificate
15	DS25	S	S	14T	CK	CA1.0	NH	CD3

## Precision Mass Products Pvt. Ltd.

Plot No.: 2306, G.I.D.C. Chhatral, Ta: Kalol, Dist.: Gandhinagar, Chhatral -382729, Gujarat, India.

Telephone: +91-2764 233681/82/83

Email: sales@precisionmass.com

Fax: +91-2764-233440

www.precisionmass.com

- North Zone : sales.delhi@precisionmass.com
- East zone : sales.kolkata@precisionmass.com
- West zone : sales.mumbai@precisionmass.com
- South zone : sales.chennai@precisionmass.com