

Diaphragm seals threaded types

Model DS21

ASME B40.100

Features

- Removable diaphragm seal capsule
- Interchangeable components
- Removable top and bottom housing
- Variety of wetted parts materials

Ranges

15 psi up to 1000 psi

1 kg/cm² up to 100 bar & kg/cm²

100 kPa up to 10000 kPa

Applications

Chemical and petrochemical industry

Machine and apparatus construction

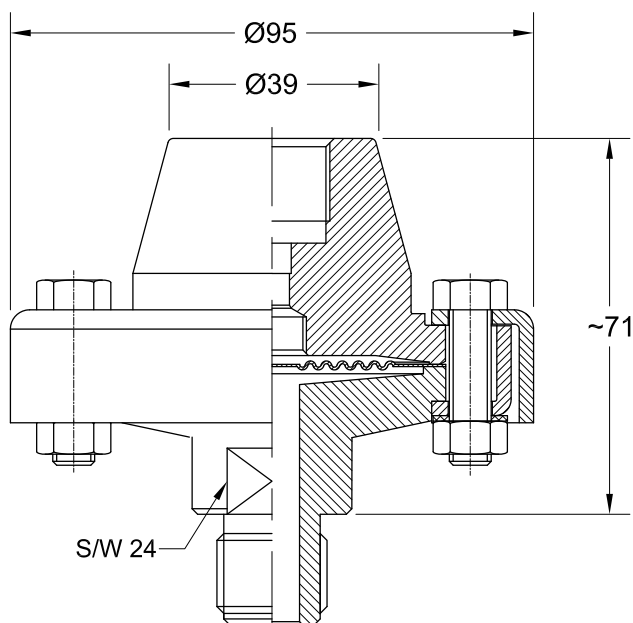
Offshore installations

Pulp and paper industry

Waste water treatment



Technical specification	DS21
Process connection size (ISO 228-1 / ASME B1.20.1)	1/4" 3/8" 1/2" BSP / NPT, M20x1.5, others on request
Construction Fill port Flushing connection Flushing connection size	Bolted top and bottom housing, removable for easy maintenance and changeable capsules At the side with stainless steel ball and set screw Optional flushing 1/4" NPT female
Maximum pressure Metal bottom housing [psi / bar] Other bottom housing [psi / bar]	1500 / 100 150 / 10
Measuring principle	Screwed capsule
Instrument connections [female]	3/8" BSP, 1/2" NPT, others on request
Material (wetted parts) Bottom housing Diaphragm (metal type)	Stainless steel 316L, Polypropylene, PVC, Monel, Hastelloy C276, SS 316L with PTFE protection Stainless steel 316L, stainless steel 304L, Monel, Hastelloy C276, Hastelloy B, Nickel, Carpenter 20, Tantalum
Material (non-wetted parts) Top housing Clamp rings Bolts and nuts	Stainless steel 304, optional 316L Steel painted black, optional stainless steel Stainless steel 300 series
Accuracy	Additional 0,5 % to the specified tolerance of the mounted instrument
Filling liquids (temperature range)	Glycerin (0/400 °F, -18/204 °C), Silicone (-50/400 °F, -45/205 °C), Halocarbon (-50/320 °F, -45/160 °C), Syltherm 800 (-40/750 °F, -40/400 °C), Vegetable oil (32/248 °F, 0/120 °C), Food grade silicone (5/570 °F, -15/300 °C), Others on request, also depending on selected material and configuration.
Mounting	Direct or with capillary
Weight in kg	1.32
Accessories, options	NACE, pressure gauges, pressure switches, transducer, capillaries

General dimensions in mm

Order information

Process connection	Type	Diaphragm	Bottom housing material	Instrument connection	Filling fluid	Length of Capillary
(06) 1" NPT(M)	DS21	(S) SS316L	(S) SS316L	(14T) 3/8 BSP (F)	(CG) Glycerin (direct mounted, -18/204 °C)	(CA) Stainless steel armored capillary ⁴⁾
(05) 3/4" NPT(M)		(C) SS304L	(SP) SS316L PTFE lined ¹⁾³⁾	(04T) 1/2" NPT (F)	(CK) Silicone (direct mounted or with capillary, -45/205 °C)	(CP) Stainless steel armored capillary with PVC protection ⁴⁾
(04) 1/2" NPT(M)		(D) Carpenter 20	(PP) Polypropylene ²⁾		(CF) Halocarbon (direct mounted or with capillary, -45/160 °C)	Options
(03) 3/8" NPT(M)		(G) Hastelloy B	(V) PVC ²⁾		(HA) Syltherm 800 (direct mounted or with capillary, -40/400 °C)	(NH) SS wired tag
(02) 1/4" NPT(M)		(H) Hastelloy C276	(H) Hastelloy C276		(GZ) Vegetable oil (direct mounted or with capillary, 0/120 °C)	(OF) Oil free (only filled with halocarbon)
(18) 1" BSP(M)		(N) Nickel	(M) Monel 400		(CZ) Food grade silicone (direct mounted or with capillary, -15/300 °C)	(YT) SS316L top housing
(17) 3/4" BSP(M)		(P) Monel 400				(SE) Stainless steel rings and bolts
(15) 1/2" BSP(M)		(U) Tantalum				(PU) Flushing connection 1/4" NPT (F) ⁵⁾
(14) 3/8" BSP(M)						Certificate
(13) 1/4" BSP(M)						(CD3) 3.1 Material Certi.
(16) M20x1.5(M)						
(06T) 1" NPT(F)						
(05T) 3/4" NPT(F)						
(04T) 1/2" NPT(F)						
(02T) 1/4" NPT(F)						

1) Restricted to maximum temperature 200 °C, pressure 40 bar

2) Max. Rating / temperature limit: 200 psi / 14 bar at 74 °F / 23 °C; 125 psi / 8.6 bar at 125 °F / 52 °C; 80 psi / 5.5 bar at 150 °F / 65 °C

3) Not for process connection (02), (13), (06T), (05T), (04T), (02T), not available with option PU 4) Max length 30m, specify length in meter EG. CP1.0 = CP with 1m

5) Not for (SP), (PP) & (V)

How to order

Process connection	Type	Diaphragm	Bottom housing material	Instrument connection	Filling fluid	Length of Capillary	Options	Certificate
04	DS21	S	S	14T	CK	CA1.0	NH	CD3

Precision Mass Products Pvt. Ltd.

Plot No.: 2306, G.I.D.C. Chhatral, Ta: Kalol, Dist.: Gandhinagar, Chhatral -382729, Gujarat, India.

Telephone: +91-2764 233681/82/83

Email: sales@precisionmass.com

Fax: +91-2764-233440

www.precisionmass.com

- North Zone : sales.delhi@precisionmass.com
- East zone : sales.kolkata@precisionmass.com
- West zone : sales.mumbai@precisionmass.com
- South zone : sales.chennai@precisionmass.com