

Diaphragm seals threaded types

Model DS20

ASME B40.100

Features

- Metal diaphragms with PTFE gasket
- Interchangeable components
- Removable top and bottom housing
- Variety of wetted parts materials

Ranges

15 psi up to 1000 psi
 1 kg/cm² up to 100 bar & kg/cm²
 100 kPa up to 10000 kPa

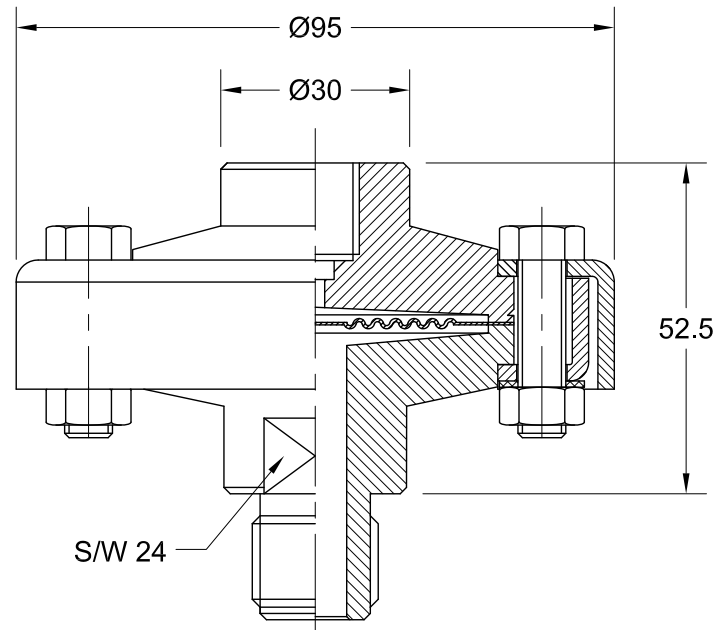
Applications

Chemical and petrochemical industry
 Machine and apparatus construction
 Offshore installations
 Pulp and paper industry
 Waste water treatment



Technical specification	DS20
Process connection size (ISO 228-1 / ASME B1.20.1)	1/4" 3/8" 1/2" BSP / NPT, M20x1.5, others on request
Construction	Bolted top and bottom housing, removable for easy maintenance
Fill port	At the side with stainless steel ball and set screw
Flushing connection	Optional flushing
Flushing connection size	1/4" NPT female
Maximum pressure	
Metal bottom housing [psi / bar]	1500 / 100
Other bottom housing [psi / bar]	150 / 10
Measuring principle	Diaphragm welded to top housing
Instrument connections [female]	3/8" BSP, 1/2" NPT, others on request
Material (wetted parts)	
Bottom housing	Stainless steel 316L, Polypropylene, PVC, SS 316L with PTFE protection, Hastelloy C276
Diaphragm (metal type)	Stainless steel 316L, Optional Hastelloy C276
Diaphragm (other types)	Stainless steel 316L with PFA protection
Material (non wetted parts)	
Top housing	Stainless steel 304, optional 316L
Clamp rings	Steel painted black, optional stainless steel
Bolts and nuts	Stainless steel 300 series
Accuracy	Additional 0,5 % to the specified tolerance of the mounted instrument
Filling liquids (temperature range)	Glycerin (0/400 °F, -18/204 °C), Silicone (-50/400 °F, -45/205 °C), Halocarbon (-50/320 °F, -45/160 °C), Syltherm 800 (-40/750 °F, -40/400 °C), Vegetable oil (32/248 °F, 0/120 °C), Food grade silicone (5/570 °F, -15/300 °C), Others on request, also depending on selected material and configuration.
Mounting	Direct or with capillary
Weight in kg	1.00
Accessories, options	NACE, pressure gauges, pressure switches, transducer, capillaries

General dimensions in mm



Order information

Process connection	Type	Diaphragm	Bottom housing material	Instrument connection	Filling fluid	Length of Capillary
(06) 1" NPT(M)	DS20	(S) SS316L	(S) SS316L	(14T) 3/8" BSP (F)	(CG) Glycerin (direct mounted, -18/204 °C)	(CA) Stainless steel armored capillary ⁴⁾
(05) 3/4" NPT(M)		(SP) SS316L PTFE protected ¹⁾	(SP) SS316L PTFE lined ¹⁾³⁾	(04T) 1/2" NPT (F)	(CK) Silicone (direct mounted or with capillary, -45/205 °C)	(CP) Stainless steel armored capillary with PVC protection ⁴⁾
(04) 1/2" NPT(M)		(SJ) SS316L PFA Coated ¹⁾	(PP) Polypropylene ¹⁾²⁾		(CF) Halocarbon (direct mounted or with capillary, -45/160 °C)	Options
(03) 3/8" NPT(M)		(H) Hastelloy C276	(V) PVC ¹⁾²⁾	(H) Hastelloy C276	(HA) Syltherm 800 (direct mounted or with capillary, -40/400 °C)	(NH) SS wired tag
(02) 1/4" NPT(M)					(GZ) Vegetable oil (direct mounted or with capillary, 0/120 °C)	(OF) Oil free (only filled with halocarbon)
(18) 1" BSP(M)					(CZ) Food grade silicone (direct mounted or with capillary, -15/300 °C)	(YT) SS316L top housing
(17) 3/4" BSP(M)					others on request	(SE) Stainless steel rings and bolts
(15) 1/2" BSP(M)						(PU) Flushing connection 1/4" NPT (F) ⁵⁾
(14) 3/8" BSP(M)						Certificate
(13) 1/4" BSP(M)						(CD3) 3.1 Material Certi.
(16) M20x1.5(M)						(CD5) NACE Certificate
(06T) 1" NPT(F)						
(05T) 3/4" NPT(F)						
(04T) 1/2" NPT(F)						
(02T) 1/4" NPT(F)						

1) Restricted to maximum temperature 200 °C, pressure 40 bar

2) Max. Rating / temperature limit: 200 psi / 14 bar at 74 °F / 23 °C; 125 psi / 8.6 bar at 125 °F / 52 °C; 80 psi / 5.5 bar at 150 °F / 65 °C

3) Not for process connection (02), (13), (06T), (05T), (04T), (02T), not available with option PU 4) Max length 30m, specify length in meter EG. CP1.0 = CP with 1m

5) Not for (SP), (PP) & (V)

How to order

Process connection	Type	Diaphragm	Bottom housing material	Instrument connection	Filling fluid	Length of Capillary	Options	Certificate
04	DS20	S	S	14T	CK	CA1.0	NH	CD3

Precision Mass Products Pvt. Ltd.

Plot No.: 2306, G.I.D.C. Chhatral, Ta: Kalol, Dist.: Gandhinagar, Chhatral -382729, Gujarat, India.

Telephone: +91-2764 233681/82/83

Email: sales@precisionmass.com

Fax: +91-2764-233440

www.precisionmass.com

- North Zone : sales.delhi@precisionmass.com
- East zone : sales.kolkata@precisionmass.com
- West zone : sales.mumbai@precisionmass.com
- South zone : sales.chennai@precisionmass.com