

# 3 valve manifold

## Model 3VM

### Features

- Stainless steel construction Optional Monel & Hastelloy C276
- Isolates each port and equalizes pressure
- Provision of dust caps that prevent dust Ingress
- Optional NACE MR0175/ISO15156 & MR0103 compliance
- The controlled vent provides the option of draining to process fluid to collector or atmosphere
- PTFE packing optional grafoil

### Applications

Chemical & petrochemical industries, refineries  
 Off shore and on shore fields  
 Storage tanks of fluids/gas  
 Thermal & nuclear power generation units  
 Waste treatment plant  
 OEM & machine apparatus  
 Seawater desalination plants  
 Chemical injection skids



Technical specification	3VM
Body	Stainless steel 316L, optional Monel & Hastelloy C276
Stem	Stainless steel 316L, optional Monel & Hastelloy C276
Valve assembly	Stainless steel 316L, optional Monel & Hastelloy C276
Connections	1/4" 3/8" 1/2" BSP / NPT, others on request
Packing	PTFE up to 240 °C (462 °F) optional Grafoil up to 538 °C (1000 °F)
T-handle	Stainless steel 304
Permissible pressure rating	6000 PSI @ 100°C (212 °F)
Drain Port	1/4" NPT(F)
Vent plug	Stainless steel 316L, optional Monel & Hastelloy C276

### Order information

Type	Mounting	Process Connection	Form Inlet X Outlet	Wetted Parts	Options
3VM	(R) Pipe to pipe	(02) 1/4" NPT (04) 1/2" NPT (03) 3/8" NPT (13) 1/4" BSP	(F/F) Female X female	(S) SS316L (M) Monel (H) Hastelloy C276  Others on request	(NH) Stamped tag (OF) Oil free (10K) Pressure rating 10000PSI <sup>1)</sup> (G) Grafoil packing
	(T) Pipe to flange	(14) 3/8" BSP (15) 1/2" BSP	(F/FL) Female X flange		
	(H) Flange to flange	(=) Flange	(FL/FL) Flange X flange		
					<b>Certificate</b>
					(CD5) NACE Certificate

1) Detailed drawing shall be provided on request

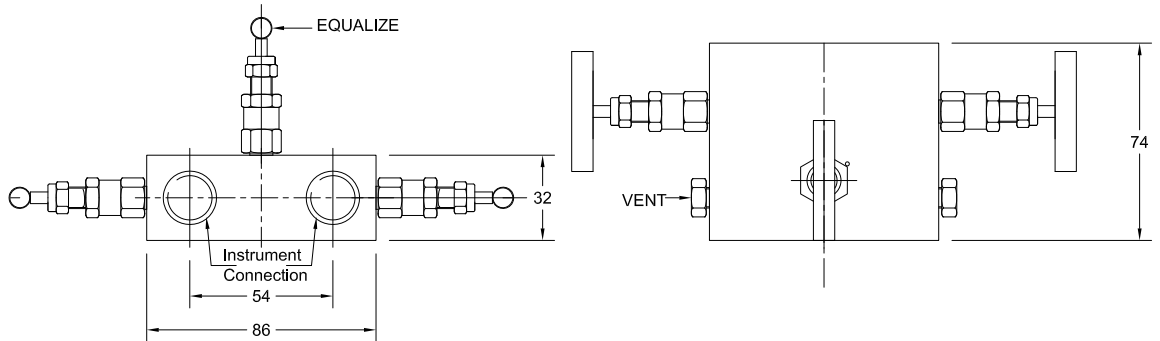
### How to order

Type	Mounting	Process Connection	Form	Wetted Parts	Options	Certificate
3VM	R	04	F/F	S	NH	CD5

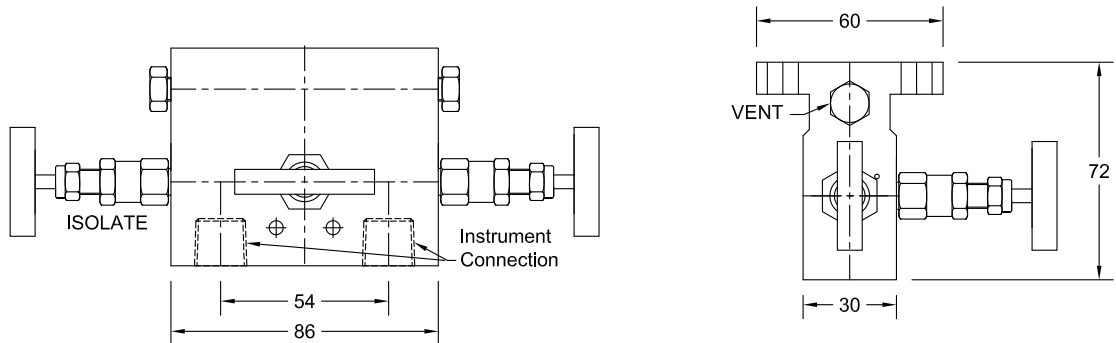
All specifications are subject to change without notice.

# 3 valve manifold

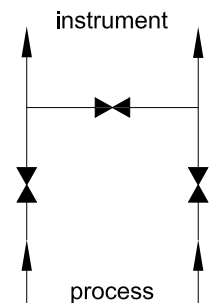
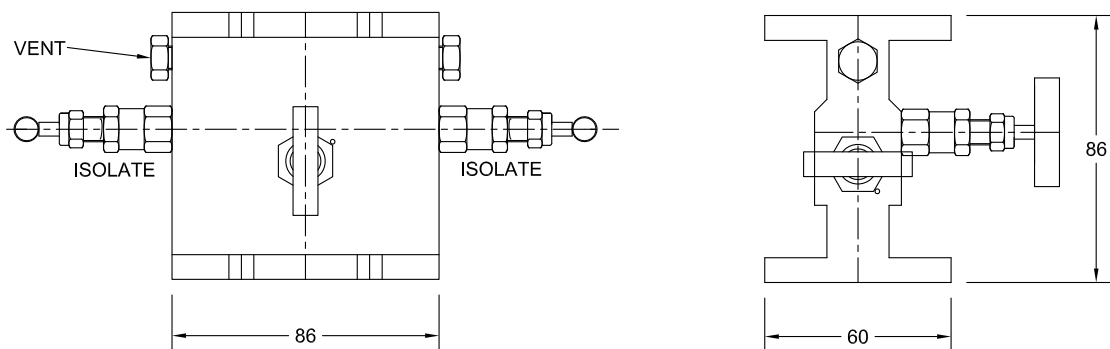
R - Type



T - Type



H - Type



Pressure Rating: 6000psi @ 100°C (212 °F)  
Dimension shall differ for option 10K

**Precision Mass Products Pvt. Ltd.**

Plot No.: 2306, G.I.D.C. Chhatral, Ta: Kalol, Dist.: Gandhinagar,  
Chhatral -382729, Gujarat, India.

Telephone: +91-2764 233681/82/83

Email: sales@precisionmass.com

Fax: +91-2764-233440

www.precisionmass.com

- North Zone : sales.delhi@precisionmass.com
- East zone : sales.kolkata@precisionmass.com
- West zone : sales.mumbai@precisionmass.com
- South zone : sales.chennai@precisionmass.com